

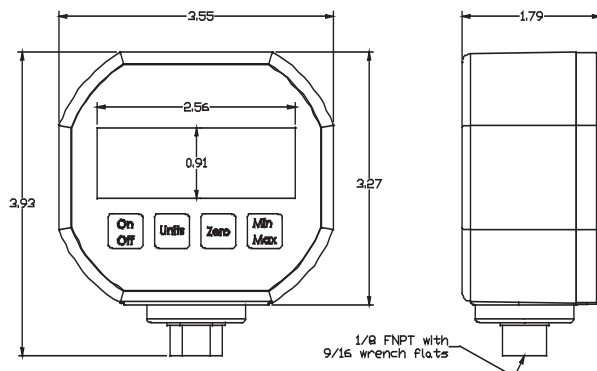
ACCUGAUGE AG100

Digital Pressure Gauge



The **AG100** series is a digital pressure gauge featuring multiple measurement units, min/max readings, selectable tare/zero and an automatic power off to conserve battery power. Also, a backlight provides improved visibility under marginal lighting conditions.

The **AG100** will operate with any liquid or gas that is compatible with 17-4PH stainless steel. Please consult the factory for other available wetted materials.



Performance @ 25°C (77°F)

Pressure Range	A number of preset ranges are available
Measurement Units	PSI, BAR, kg/cm, ATM, InH20, InHg
Accuracy	<±0.5% BFSL (Includes Non-linearity, Hysteresis and Non-repeatability)
Stability (1 year)	±0.25% FS (typical)
Over Range Protection	2X Rated Pressure
Burst Pressure	5X or 20,000 PSI whichever is less
Pressure Cycles	>100 Million

Environmental Data

Temperature

Media	-55 to 125°C (-67 to 257°F)
Operating (Ambient)	-10°C to 70°C (14°F to 158°F)
Storage	-10°C to 85°C (14°F to 185°F)

Thermal Limits

Compensated Range	0°C to 55°C (32°F to 131°F)
TC Zero	<±1.5% of FS
TC Span	<±1.5% of FS

Specifications

Display Update Rate	2 samples per second
Power	9 Volt Alkaline Battery
Automatic Power Off	1 Hour
Battery Life	4000 Hours Operation (typical)
Protection Rating	NEMA 4, IP 65
Instrument Case	Poly carbonate

Ordering Information

AG100 A V0100

Series Type

A=1/4" NPT Male
J= 1/8" NPT Female

Pressure range
Insert 5-digit pressure
range code

Pressure Ranges

Gage PSIG	Pressure Range Code
-14.7 to 50	V0050
-14.7 to 100	V0100
-14.7 to 250	V0250
-14.7 to 500	V0500
-14.7 to 1000	V1000
0 to 2500	02500
0 to 5000	05000