

# SPECIAL SERVICE GAUGES

## REFRIGERATION GAUGE SERIES #14

This series is designed for use by refrigeration engineers requiring high quality gauges for use with refrigerants that are non-corrosive to bronze.

### STANDARD FEATURES:

**MOVEMENT\*:** Sturdy corrosive resistant bronze bushed rotary type movement with bronze links and stainless steel link screws.

**POINTER\*:** Lightweight balanced construction with adjustment feature.

**DIAL:** Heavy gauge aluminum. 4½", 6" and 8½" sizes

**WINDOW\*:** Glass.

**CONNECTION:** Brass machined connection with wrench flats, 1/4" NPT male connection at bottom or back of case.

**ACCURACY:** ASME/ANSI B40.1 Grade 1A (1%)

\* Additional options available as noted on next page.



Dials are Freon Temperature and Pressure

RANGE	ORDER CODE
30"-0-150 psi (R12 and R22)	63
30"-0-300 psi (R12 and R22)	64

\* Special dials ranges are available upon request

## AMMONIA GAUGE SERIES #15

This series is designed for use on installations on ammonia tanks, or anywhere ammonia is used.

### STANDARD FEATURES:

**MOVEMENT:** Stainless steel rotary geared movement with dissimilar stainless steel bushings and stainless steel link and screws.

**POINTER\*:** Lightweight balanced construction with adjustment feature.

**DIAL:** Heavy gauge aluminum. Temperature for saturated ammonia in red. 4½", 6" and 8½" sizes

**WINDOW\*:** Glass.

**CONNECTION:** 316 stainless steel machined connection with wrench flats, 1/4" or 1/2" NPT male connection at bottom or back of case.

**ACCURACY:** ASME/ANSI B40.1 Grade 1A (1%)



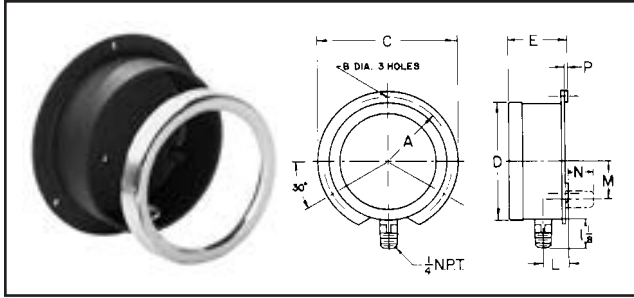
Dials are Ammonia Temperature and Pressure

RANGE	ORDER CODE
30"-0-150 psi	65
30"-0-300 psi	66

### Ordering Number - Construct by selecting one item from each of the columns below:

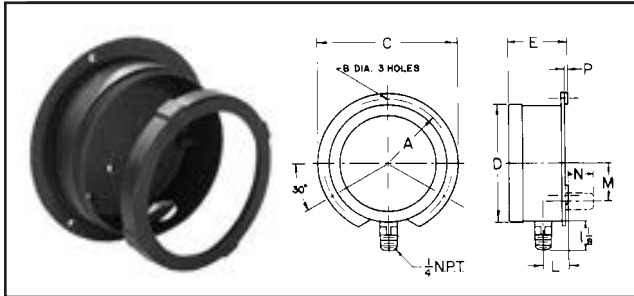
1	Dial Size:	2	Series Number:	3	Case Style:	4	Range Code:	5	Connection Size and Style:	6	Bourdon Tube and Socket Code:
	4½" = 4 6" = 6 8½" = 8		= 14 = 15		= 1 = 2 = 5 = 6 = 7		See standard range chart for code.		1 = 1/4" NPT Bottom 2 = 1/4" NPT Back 3 = 1/2" NPT Bottom 4 = 1/2" NPT Back		1 = Bronze 3 = Stainless Steel
	Example: 41566523										
	4		15		6		65		2		3

# CASE DIMENSIONS



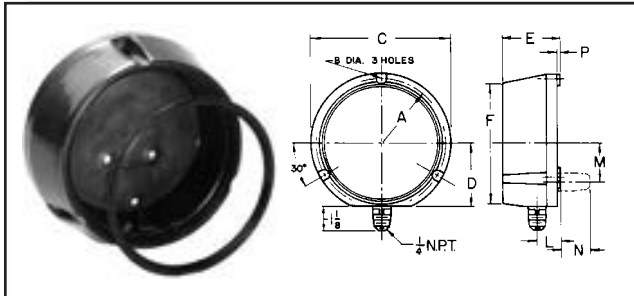
**STYLE 1 - Black Aluminum Case with Slip Ring**

SIZE	A	B	C	D	E	L	M	N	P
4½"	2.68"	.20"	5.87"	4.85"	2.15"	.84"	1.28"	1.81"	.062"



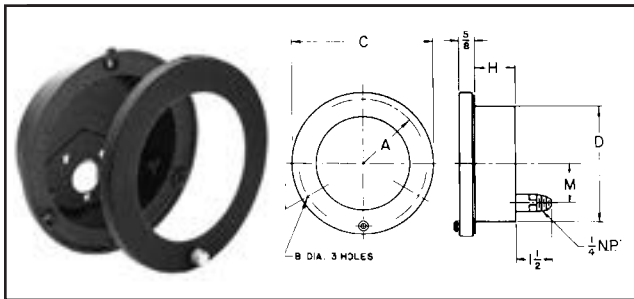
**STYLE 2 - Black Aluminum Case with Twist Ring**

SIZE	A	B	C	D	E	L	M	N	P
6"	3.38"	.20"	7.62"	6.56"	2.20"	.84"	1.41"	1.81"	.062"
8½"	4.81"	.20"	10.25"	9.19"	2.20"	.84"	1.41"	1.81"	.062"



**STYLE 5 - Phenol Turret Case for Wall, Panel or Direct Mounting**

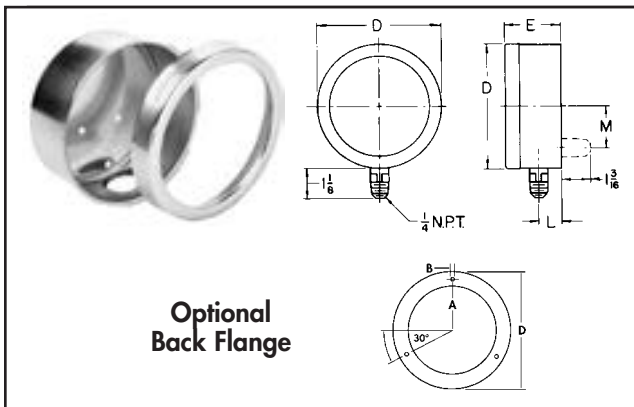
SIZE	A	B	C	D	E	F	L	M	N	P
4½"	2.69"	.22"	5.84"	2.62"	2.15"	4.93"	.875"	1.28"	1.50"	.062"



**STYLE 6 - Black Aluminum Case with Hinged Ring Front Flange**

SIZE	A	B	C	D	H	M	X
4½"	2.69"	.22"	6.00"	4.75"	1.60"	1.41"	4.81"
6"	3.50"	.22"	7.62"	6.34"	1.51"	1.41"	6.47"

X = Panel Hole Cut-Out Diameter.



**STYLE 7 - Polished Stainless Steel Case with Twist Ring**

SIZE	A	B	C	D	E	L	M
4½"	2.68"	.22"	5.89"	5.04"	2.32"	.73"	1.28"