

## Series FA Fire Apparatus Gauge – 4.5”

### Overview

- Original Span design Fire Apparatus gauge
- Master gauges for intake and discharge
- Made in the USA

### Benefits

- Full 4 1/2” dial for easy readability
- “ICD” for fully filled glycerin fill
- “Kem-X” freeze and clog proof
- Easy mounting system

### Standard Features

- Case material: Zytel Nylon
- Bezel material: Chrome plated nylon
- Socket: 1/4” NPT male brass center back connection
- Kem-X: installed in 1/4” brass socket
- Bourdon Tube: Phosphor bronze
- Lens: Acrylic
- Fill Fluid: Non yellowing low temperature interlube – rated -40 to +150 F service
- ICD fully filled case with temperature compensating internal diaphragm
- Dial: Aluminum, two-sided baked enamel finish
- Accuracy: 1% full scale – ANSI Grade 1A
- Ranges: 0-400; 0-600; 30-0-400; 30-0-600; PSI; PSI/KPA
- Pointer: Black Aluminum
- Mounting: One piece mounting bracket with adhesive gasket for waterproof seal
- Gaskets: EPDM



### Available Options

- LED lighted glycerin filled; white, red, blue, green
- “DPM” Dry dashpot shock proof non-filled gauge
- “WOB” Reverse dial, white on black
- “DOT” Swivel elbow installed – DOT approved
- Metric and other ranges available upon request
- Custom dial faces available upon request
- Red tip pointer

### Thuemling Instrument Group

1225 Pearl Street, Waukesha, WI 53186 • Phone: 262-547-1789 • Fax: 262-547-6493  
Web: [www.thuemling.com](http://www.thuemling.com) • Email: [thuemling@earthlink.net](mailto:thuemling@earthlink.net)

© 2011 Copyright Thuemling Instrument Group



## Series FA Fire Apparatus Gauge – 4.5"

### Ordering Guide

**PREFIX:**

FA-LFP = Fire apparatus style liquid filled panel mount bright chrome bezel, "ICD" internal compensating diaphragm and Kem-X freeze-proof feature.

**DIAL SIZE:**

2 = 2.5 Dial                      3 = 3.5" Dial  
 4 = 4.5" Dial                      6 = 6.0 " Dial

**RANGE:** (Specify by Letter)

A = 0 - 300 PSI                      F = 30"- 0 - 600 PSI  
 B = 0 - 400 PSI                      G = 0 - 400 PSI/KPA  
 C = 0 - 600 PSI                      H = 0 - 600 PSI/KPA  
 D = 30" - 0 - 300 PSI              I = 30 - 0 - 400 PSI/KPA  
 E = 30" - 0 - 400 PSI              J = 30 - 0 - 600 PSI/KPA

**FILL:** (Please specify)

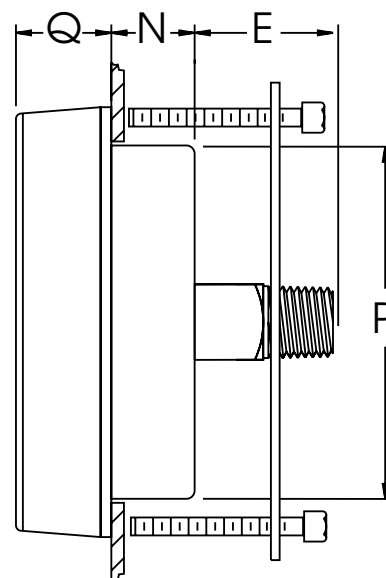
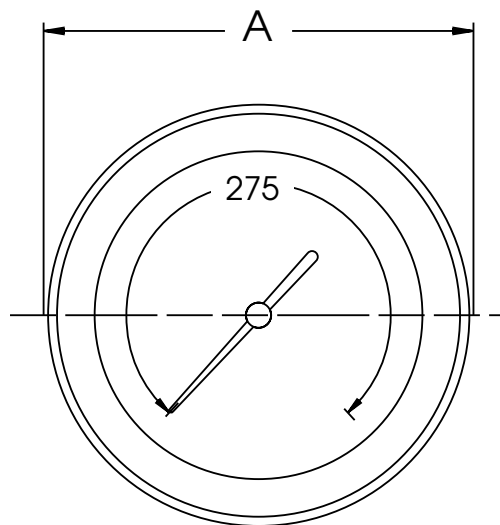
G = Interlube Liquid filled      D = Dry - no fill

**OPTIONS:** (Please specify)

WOB = Reverse dial, white on black  
 LED = LED back lighted gauge  
 DPM = Shock proof movement in dry gauge  
 DOT = Swivel Elbow installed

**EXAMPLE:**

FA-LFP-410-C-G-WOB



Dimensions						
Dial	A	E	N	P	Q	Panel Cut-out
2.5"	3.23"	1.06"	0.62"	2.63"	0.71"	2.69"
3.5"	4.23"	1.06"	0.62"	3.73"	0.71"	3.78"
4.5"	5.30"	1.06"	0.62"	4.80"	0.71"	4.85"
6"	6.81"	1.40"	1.20"	6.30"	0.71"	6.35"

**Thuemling Instrument Group**

1225 Pearl Street, Waukesha, WI 53186 • Phone: 262-547-1789 • Fax: 262-547-6493  
 Web: www.thuemling.com • Email: thuemling@earthlink.net

