

SPAN™ Sanitary Gauge

Overview

SPAN Sanitary Gauges provide a Tri-Clamp® process connection with a 2-1/2" or 3-1/2" dial size.

Features

- **CASE MATERIAL** Zytel Nylon for Corrosion Resistance
- **BEZEL MATERIAL** Polished Stainless Steel
- **INTERNAL COMPONENTS** 316 Stainless Steel
- **INTERNAL BREATHING DIAPHRAGM**
Reduces Temperature Effects and Zero Shift
- **FILL FLUID** Glycerin, Fully Filled
- **3A APPROVED DIAPHRAGM SEAL**

Specifications

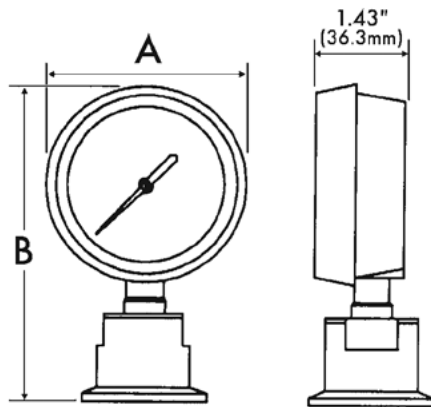
- **ACCURACY** ±1% of Scale
- **PROCESS CONNECTION**
1.5", 2", 2.5" or 3" Tri-Clamp® Stem or Center Back
- **PRESSURE RANGES AVAILABLE** 30" Hg to 600 PSI
- **OPERATING TEMPERATURES** 40° to 260°F

Fill Fluid Options

- **NEOBEE OIL** (Standard Fill)
- **VEGETABLE OIL**
- **FOOD GRADE SILICONE**
- **GLYCERIN**

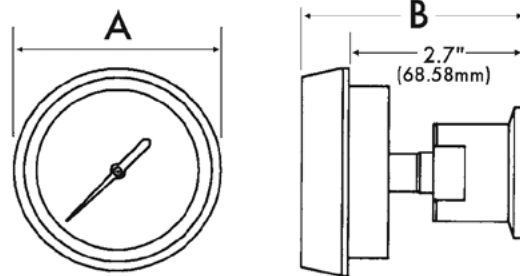


Span Sanitary Liquid Filled Gauge



Stem Mounted Gauge Sizes

	2.5"	3.5"
A	3.2" (81.28mm)	4.2" (106.68mm)
B	5.1" (129.54mm)	6.1" (154.94mm)



Center Back Mounted Standard Gauge Sizes

	2.5"	3.5"
A	3.2" (81.28mm)	4.2" (106.68mm)

Thuemling Instrument Group

1225 Pearl Street, Waukesha, WI 53186 • Phone: 262-547-1789 • Toll Free: 1-800-686-1789
Fax: 262-547-6493 • Web: www.thuemling.com • Email: thuemling@earthlink.net

