



SPAN™ series FA FIRE APPARATUS GAUGES

Manufactured by The Thuemling Instrument Group



The 'Original' fire truck liquid filled gauge - more refined and rugged than ever with these special features:

- Fully filled Zytel case
- Lighted gauge option
- Freezeproof Kem-X socket saver
- Optional NFPA color coded bezels

The new 63mm and 100mm cast brass cased, liquid filled pressure gauges featuring:

- One piece cast brass case with bright chrome bezel
- Lifetime warranty against leakage

The ultimate liquid filled drafting gauge designed for rural operations.

- 50% of dial shows vacuum for precision readings
- 50% of dial shows pressure - up to 300 PSI

The newest electronic fire truck pressure gauge system.

- Traditional reading dial face
- Electronic transducer precision accuracy

Breathing Air Compressor Gauges . Your ONE Source For Both Full 2.65" AND 63mm Panel Mounting Sizes - All Ranges

- 2.65" Panel Hole - Dry Or Liquid Filled
- 2.50" Panel Hole - Dry Or Liquid Filled

SPECIFICATIONS

- **CASE MATERIAL**
Zytel nylon, with 1/2" blow out plug
- **BEZEL MATERIAL**
Bright Stainless Steel (Colored bezel optional)
- **SOCKET**
1/4" NPT Male Brass center back connection with Kem-X freeze proof protection
- **BOURDON TUBE**
Phosphor bronze, filled with freeze proof liquid - isolated by diaphragm
- **LENS**
Acrylic
- **FILL FLUID**
Low Temp Glycerin (for -40°F - 150°F service)
- **DIAL**
2-1/2", 3-1/2" or 4-1/2"
Aluminum. Two sided baked enamel finish. White with black markings. Reverse black with white markings, optional. Customized dials available.
- **ACCURACY**
1 % Full Scale - ANSI Grade 1A
- **FREEZE PROTECTION**
Standard KEM-X Socket Saver isolates the gauge from media, preventing freezing or clogging.
- **TEMPERATURE COMPENSATION**
Internal compensating diaphragm
- **MOUNTING**
Panel mounted with adhesive gasket. One-piece stainless steel mounting bracket
- **PRESSURE RANGES AVAILABLE**
0-300, 0-400 and 0-600 PSI Pressure
30"-0-300, 30"-0-400 and
30"-0-600 PSI Compound

Other Ranges Available,
Vacuum to 10,000 PSI



▲ FA-LFP-210 2.5" LIQUID FILLED - PANEL MOUNT



▲ FA-LFP-310 3.5" LIQUID FILLED - PANEL MOUNT (WOB Option)



▲ FA-LFP-410 4.5" LIQUID FILLED - PANEL MOUNT



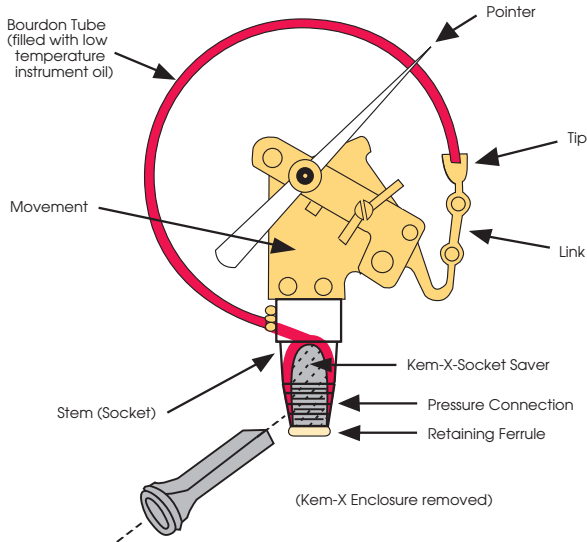
FULLY-FILLED CASE WITH TEMPERATURE COMPENSATION

STANDARD FEATURES

The internal "breathing diaphragm" eliminates the need for an air bubble in the mid-range of the gauge, which can distort readings and looks unsightly. The "ICD" is standard on all 2-1/2", 3-1/2" and 4-1/2" FA-Series gauges.

The "ICD" also prevents accuracy shift from changes in internal case pressure caused by fluctuations in ambient temperatures from -20 to 150° F.

'ICD' TEMPERATURE COMPENSATING DIAPHRAGM ▲



KEM-X SOCKET SAVER

FREEZE PROOF PROTECTION (STANDARD)

Keep water and foam from entering the Bourdon tube of your gauge with our exclusive, patented "Kem-X Socket Saver". Once the tube of the gauge has been evacuated and filled with instrument oil, a special BUNA-N 'boot' is inserted directly in the socket of the gauge and held in place by a retaining ferrule. This combination isolates any water from the wetted parts of the instrument. Our Kem-X prevents freezing from harming your gauge.

KEM-X SOCKET SAVER ▲

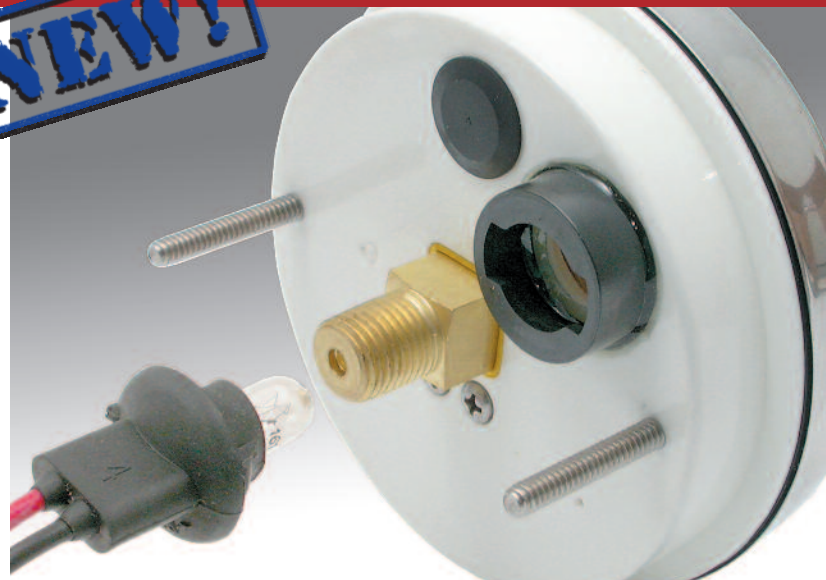
LIGHTED, LIQUID FILLED GAUGES

FINALLY, THE INDUSTRY'S FIRST LOW COST, SIMPLE SOLUTION TO LIGHTING YOUR PRESSURE GAUGE.

The industry's first illuminated, liquid filled pressure gauge. The 'IPG' option (patent pending) is available on all 2.5", 3.5" and 4.5" gauges in all mounting styles.

SPECIFICATIONS

- **BULB** - Replaceable. 12 volt. Incandescent or colored LED. (white, red, blue or green.)
- **ELECTRICAL CONNECTION** - 18" flying leads standard
- **WATERPROOF BULB HOLDER**



▲ LIGHTED LIQUID FILLED PRESSURE GAUGE - REAR DETAIL

COLOR CODED BEZELS

SPAN's NFPA Colored Bezels match the color coded name plates and T-handles for the ultimate in safety & pump circuit identification.

Threaded design makes it easy to customize your panel appearance. The solid molded color bezels will not chip, scratch or fade.

Available Colors:

Red	Dk Blue	White
Black	Yellow	Orange
Brown	Green	Gold
Silver	Dk Green	Beige
Lt Blue	Dusty Rose	
Gray	Purple	



CUSTOM DIAL FACES ▲

CUSTOM DIAL FACES

Customize your gauges with your logo printed on the dial face. (Set-up and minimum quantities may apply.)

We also offer standard 'Series FA' Name On Dial faces in Black on White and reversed White on Black dials. Dual reading scales (with Metric) also available.

ONE-PIECE MOUNTING BRACKET WITH ADHESIVE GASKET

This mounting system allows easy installation of gauges as the adhesive gasket holds the gauge in place and acts as a waterproof seal between the panel and the gauge.

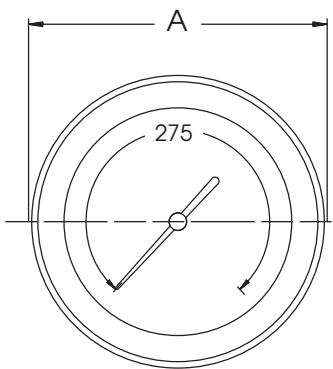
The one-piece mounting bracket is made of stainless steel.



▲ ONE-PIECE MOUNTING WITH ADHESIVE GASKET

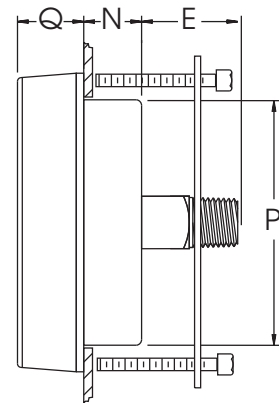
ORDERING GUIDE

- PREFIX**
 FA-LFP = Fire apparatus style liquid filled panel mount bright stainless steel bezel, 'ICD' internal compensating diaphragm and Kem-X freeze-proof feature.
- 1st NUMBER - (DIAL SIZE)**
 2 = 2.5" Dial
 3 = 3.5" Dial
 4 = 4.5" Dial
- 2nd NUMBER - (ACCURACY)**
 1 = 1% Accuracy
- 3rd NUMBER - (WETTED PARTS)**
 0 = Phosphor Bronze Tube with Brass Socket
- RANGE - (SPECIFY BY LETTER)**
 A = 0 - 300 PSI D = 30"- 0 - 300 PSI
 B = 0 - 400 PSI E = 30"- 0 - 400 PSI
 C = 0 - 600 PSI F = 30"- 0 - 600 PSI
 Dual Scale Dials Available
- FILL - (PLEASE SPECIFY)**
 G = Interlube Liquid Filled
- OPTIONS - (PLEASE SPECIFY)**
 WOB = Reverse Dial, White on Black
 IPG = Lighted Gauge, LED: White, Red, Blue, and Green.
 DOT = Swivel Elbow Installed. DOT Approved
- EXAMPLE - FA-LFP-210-C-G-WOB**



DIMENSIONS

DIAL	A	E	N	P	Q	Panel Cut-out
2 1/2"	3.23"	1.06"	0.62"	2.63"	0.71"	2.69"
3 1/2"	4.23"	1.06"	0.62"	3.73"	0.71"	3.78"
4 1/2"	5.30"	1.06"	0.62"	4.80"	0.71"	4.85"



WARRANTY

LIFETIME:

- **NON YELLOWING** - To retain optical clarity of pressure gauge liquid fill, therefore preventing discoloration.
- **FREEZE PROOF** - To prevent media from freezing inside gauge internals, causing over-range condition.
- **FREEZE PROOF** - To prevent fluid fill from freezing in any conditions.

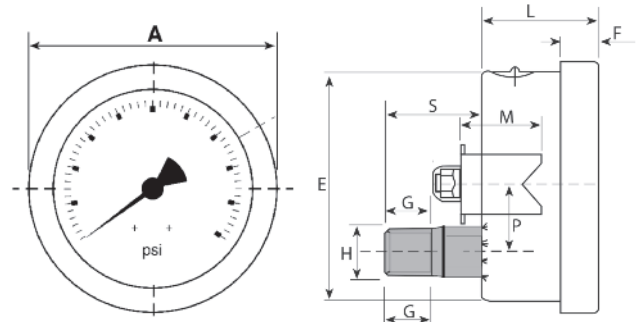
3 YEARS:

- To be free from defects in material and workmanship, including fluid fill leakage.
- To remain within cataloged accuracy standards.
- To operate within the published performance specifications.



LARGE 6" DIAL FACE

For applications requiring 6" master pump gauges, we offer liquid filled panel mounted gauges.



Case Diameter	A	E	F	G	H	L	M	P	S
MM 160	173	160	17	21.5	22	56	38	52	43
In. 6.30	6.81	6.3	0.67	0.85	0.87	2.2	1.50	2.05	1.69

▲ MC6 - 6" LIQUID FILLED MASTER PUMP GAUGE

ORDERING GUIDE

- **PREFIX**
FA-LFP = Fire apparatus style liquid filled panel mount bright stainless steel bezel.
- **1st NUMBER - (DIAL SIZE)**
6 = 6.0" Dial
- **2nd NUMBER - (ACCURACY)**
1 = 1% Accuracy
- **3rd NUMBER - (WETTED PARTS)**
0 = Phosphor Bronze Tube with Brass Socket
1/4" Male NPT
- **RANGE - (SPECIFY BY LETTER)**
B = 0 - 400 PSI E = 30" - 0 - 400 PSI
C = 0 - 600 PSI F = 30" - 0 - 600 PSI
Dual Scale Dials Available
- **FILL - (PLEASE SPECIFY)**
G = Interlube Liquid Filled
- **OPTIONS - (PLEASE SPECIFY)**
WOB = Reverse Dial, White on Black
DOT = Swivel Elbow Installed. DOT Approved
- **EXAMPLE - FA-LFP-610-C-G**

4.5" DUPLEX GAUGES

The SPAN™ liquid-filled, panel mounted duplex gauge is designed for applications requiring one gauge to monitor two systems. Includes KEM-X Isolator and 2% full-scale accuracy.

Case Material	Nylon
Bezel Material	Chrome
Dual Sockets	Bronze equipped with KEM-X Freeze protection
Lens	Acrylic
Range	0-400 PSI. Dual scale available upon request
Options	Lighted Dial



DPX-410 LIQUID FILLED DUPLEX GAUGE ▲

SPECIFICATIONS

- **CASE**
Rugged, one-piece cast brass case with integral socket and tube. No leak path.
- **BEZEL**
Bright polished chrome plated trim ring
- **SOCKET**
1/4" NPT Male - Brass
63mm - Center back connection
100mm - Lower back connection
- **BOURDON TUBE** - Phosphor Bronze
- **LENS** - Acrylic
Temperature compensating membrane optional
- **FILL FLUID** - Glycerin
- **DIAL**
63mm (2.5") and 100mm (4.0") case sizes
Black markings on White dial (BOW)
White markings on Black dial (WOB)
- **ACCURACY**
1.5 % Full Scale (63mm)
1 % Full Scale - ANSI Grade 1A (100mm)
- **MOUNTING**
Panel mounting with studded case and one-piece mounting bracket
- **PRESSURE RANGES AVAILABLE**
0-300, 0-400 and 0-600 PSI Pressure
30"-0-300, 30"-0-400 and
30"-0-600 PSI Compound

Custom Logo available on dial



▲ BC-LFP-63 2.5" LIQUID FILLED - PANEL MOUNT



▲ BC-LFP-100 4.0" LIQUID FILLED - PANEL MOUNT (WOB Option)

WARRANTY

LIFETIME:

- **LEAK PROOF** - To maintain the integrity of the hermetically sealed case, therefore preventing leakage.
- **NON-YELLOWING** - To retain optical clarity of pressure gauge liquid fill, therefore preventing discoloration.

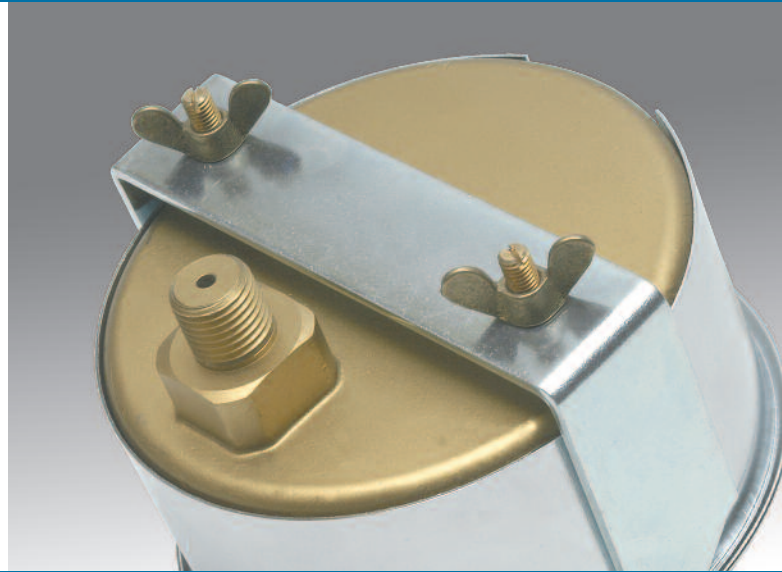
3 YEARS:

- To be free from defects in material and workmanship.
- To remain within cataloged accuracy specifications.
- To operate within the published performance specifications.

ONE PIECE CAST BRASS CASE

ELIMINATES LEAK PATHS (STANDARD)

The BC Series offers a one piece cast brass case. The socket is cast into the case, eliminating the possibility of leakage at the back under any conditions. This is the most rugged construction in the industry, and offers our lifetime 'NO LEAKAGE' warranty.



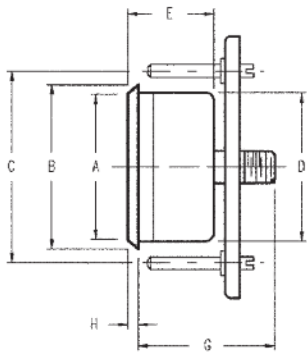
▲ ONE PIECE CAST BRASS CASE - REAR DETAIL

ORDERING GUIDE

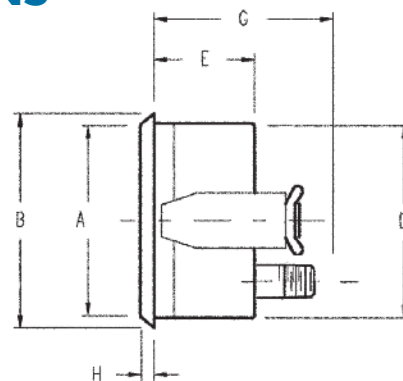
- PREFIX**
 BC-LFP = Fire apparatus style liquid filled panel mount in cast brass case with bright chrome ring and phosphor bronze bourdon tube.
- DIAL SIZE**
 63 = 63mm (2.5") Dial
 100 = 100mm (4") Dial
- RANGE - (SPECIFY BY LETTER)**
 A = 0 - 300 PSI
 B = 0 - 400 PSI
 C = 0 - 600 PSI
 D = 30"- 0 - 300 PSI
 E = 30"- 0 - 400 PSI
 F = 30"- 0 - 600 PSI
- OPTIONS - (PLEASE SPECIFY)**
 WOB = Reverse Dial, White on Black
- EXAMPLE**
 BC-LFP-63-F-WOB

DIMENSIONS

BC-LFP-63
63mm/2.5"



BC-LFP-100
100mm/4"



Dimensions:

TYPE/SIZE	WEIGHT	KEY	A	B	C	D	E	G	H	J
BC-LFP-63 63mm/2.5"	0.66 lbs.	mm	63	68	71	63	38	61	3.1	50
		in	2.5	2.68	2.80	2.48	1.50	2.40	.12	1.97
BC-LFP-100 100mm/4"	2.43 lbs.	mm	100	107	--	101	47	74	3.5	60
		in	4.0	4.21	--	3.98	1.85	2.91	.14	2.36

50/50 SERIES

NEW!

LIQUID FILLED PRECISION DRAFTING GAUGES



This unique gauge allows the most accurate vacuum readings available. Perfect for drafting. 50% of the scale shows precise vacuum reading.

Special construction also allows accurate pressure readings up to 300 PSI without damage to the vacuum side of the gauge when used in-line with pressurized water sources.

Conforms to proposed NFPA 1901, 2016 Edition new specifications.

SPECIFICATIONS

- **CASE**

304 Stainless Steel. U-Clamp panel mounting 80mm (3.14") and 100mm (4.0") case sizes

- **TEMPERATURE COMPENSATION**

The 50/50 gauge has a unique internal rubber diaphragm which allows for full fill of case while compensating for ambient temperature conditions.

- **INTERNALS**

Double phosphor bronze diaphragm for vacuum to 300 PSI service.

- **CONNECTION**

1/4" Male NPT center back connection

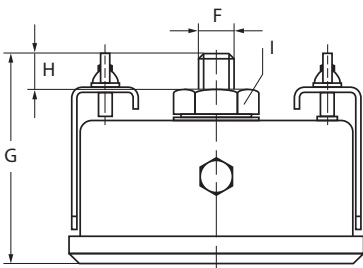
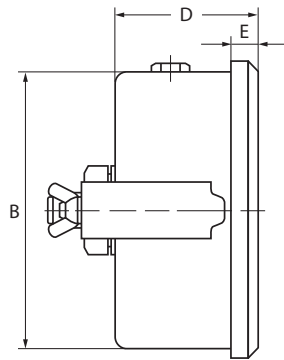
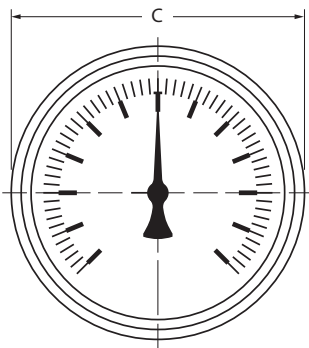
- **DIAL**

30"-0-300 (Scale as shown).

- **OPTIONS**

A matching 'Discharge' Gauge is available to complete the Master Gauge Set. Discharge Gauge has 'traditional' dial layout in range 0-400.

50/50-LFP-80 3.14" LIQUID FILLED - PANEL MOUNT ▲



50/50 SERIES DIMENSIONS ▲

Dimensions								
A	B	C	D	E	F	G	H	I
80	79	86	51	9	75	1/4" NPT	13	27
3 in	3.11	3.39	2.01	0.35	2.95	1/4" NPT	0.51	1.06
100	99	106	52	10	76	1/4" NPT	13	27
4 in	3.90	4.17	2.05	0.39	2.99	1/4" NPT	0.51	1.06

Ask us about this exciting new innovation for Rural Fire Fighting when using lakes, ponds and other natural water sources.

MODEL NUMBERS:

50/50-LFP-80 = 3.14" Liquid Filled, Panel Mount, 30"-0-300 PSI.

50/50-LFP-100 = 4" Liquid Filled, Panel Mount, 30"-0-300 PSI.

* For matching master high pressure 'Discharge' gauge, consult factory.

ACCESSORIES

MCR-40 - Polished Stainless Steel adapter ring allows retrofit applications in 4-5/8" master gauge panel holes.



CASE - Anodized Aluminum. LED Lighted. Matches, and is interchangeable with, standard mechanical FA-Series fire apparatus gauges.

BEZEL - Bright Stainless Steel

MOUNTING - U-Clamp Panel Mount Style

DIAL SIZES - 2-1/2" or 4-1/2"

SUPPLY VOLTAGE - 12 Volt DC

INPUT SIGNAL - 0.5 - 4.5 Volt DC

RANGES* 2-1/2" - 0-400
4-1/2" - 30"-0-600

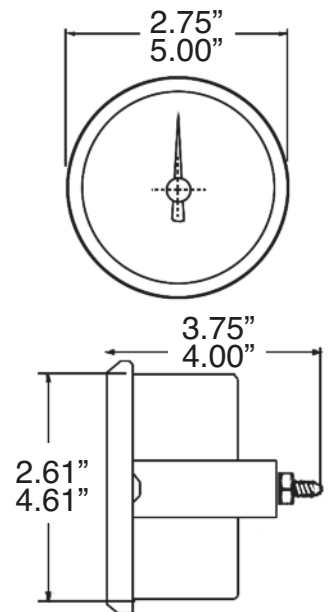
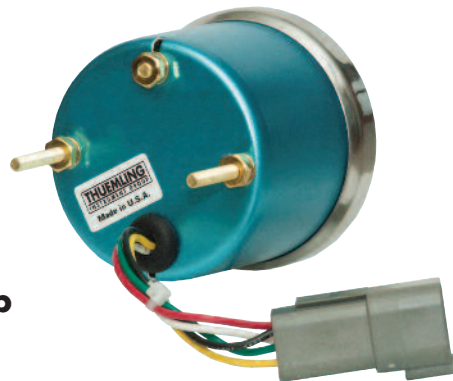
Use with OPT Pressure Transducer

*Other ranges available upon request.

'EG1' ANALOG READING ELECTRONIC GAUGE ▲

The first 'Affordable' electrical pressure indicator to combine the accuracy of electronics with the easy reading of your familiar mechanical gauge

- **Ideal for severe weather applications**
- **No piping required**
- **Ultimate accuracy from electronics**
- **OEM priced**
- **NFPA compliant for in-cab display on pump & roll apparatus**



▲ 'EG1' SERIES GAUGE - REAR DETAIL & DIMENSIONS



'OPT' SERIES PRESSURE TRANSDUCER

CONNECTION - 1/4" NPT Male Stainless Steel

HOUSING - Waterproof, NEMA IV Rated

ACCURACY - 1% of Span

OUTPUT - 0.5 - 4.5 Volts. Compatible with EG gauges.

CABLE - 20' cable. (longer available) NEMA connectors

'OPT' SERIES PRESSURE TRANSDUCER ▲



'LFP' SERIES LIQUID FILLED GAUGE

The original LFP Series gauge is designed for breathing air compressor applications where leak integrity and accuracy are critical. The Zytel case requires a 2.65" panel cut-out and matches FA Series fire apparatus gauges.

SPECIFICATIONS

- CASE MATERIAL**
 Black Zytel, Stainless Steel Bezel, U-clamp panel mount
- INTERNAL COMPONENTS**
 Brass or 316 Stainless Steel, Leak Tested
- CONNECTION**
 1/4" Male NPT center back connection
- FILL FLUID**
 Glycerin or Dry with dampened movement
- PRESSURE RANGES (Typical)**
 0 to 200, 600, 1000, 3000, 5000, 7500, 10,000 PSI
 Dual scales also available

'LFP' SERIES BREATHING AIR COMPRESSOR GAGUE ▲



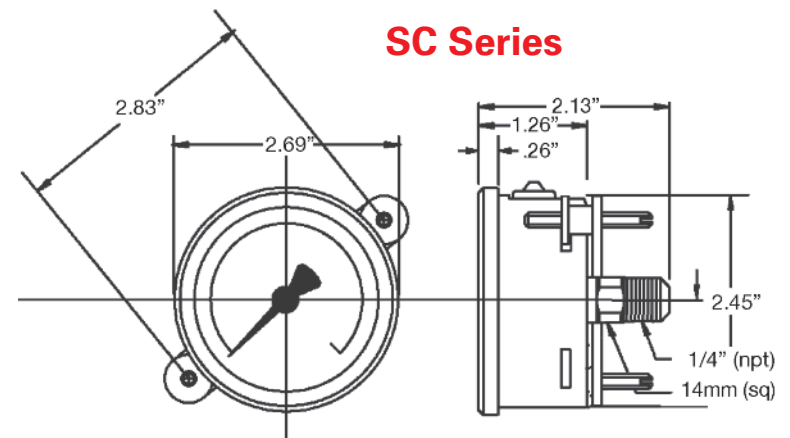
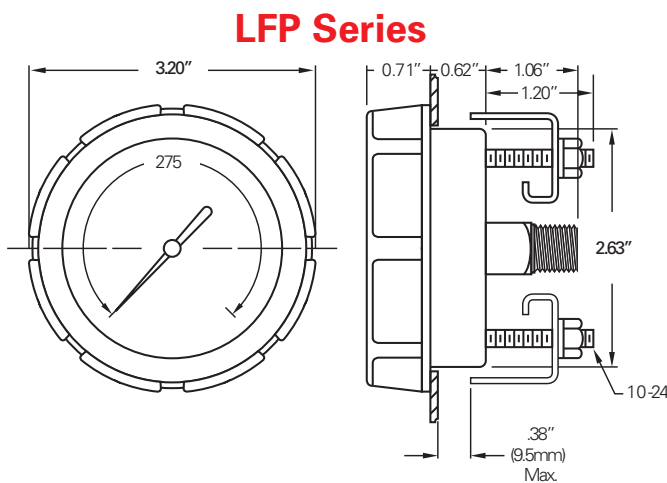
'SC' SERIES LIQUID FILLED GAUGE 63mm STAINLESS CASE

'SC' Series gauges are designed for installations requiring a 63mm case diameter. The case will fit a 2.5" panel cut-out used for most 'imported' gauges.

SPECIFICATIONS

- CASE MATERIAL**
 Stainless Steel, 63mm, U-Clamp Panel Mount
- INTERNAL COMPONENTS**
 Brass or 316 Stainless Steel, Leak Tested
- CONNECTION**
 1/4" Male NPT center back connection
- FILL FLUID**
 Glycerin or Dry with dampened movement
- PRESSURE RANGES (Typical)**
 0 to 200, 600, 1000, 3000, 5000, 7500, 10,000 PSI
 Dual scales also available

'LFP' SERIES BREATHING AIR COMPRESSOR GAGUE



▲ 'SC' SERIES BREATHING AIR COMPRESSOR GAUGE

STOCK LIST

COMMON GAUGE PART NUMBERS

FA SERIES 'Original' Gauges P. 1-4

2.5" Gauges		Panel Mounted (1/4" MNPT)	
PART NUMBER	RANGE	DIAL	STOCK
1523932	30" - 0 - 400	White	*
1523933	30" - 0 - 600	White	*
1523971	0 - 400	White	*
1523934	0 - 600	White	*
1523936	30" - 0 - 400	Black	
1523937	30" - 0 - 600	Black	
1523970	0 - 400	Black	
1523938	0 - 600	Black	

3.5" Gauges		Panel Mounted (1/4" MNPT)	
PART NUMBER	RANGE	DIAL	STOCK
1553940	30" - 0 - 400	White	*
1553941	30" - 0 - 600	White	*
1553951	0 - 400	White	*
1553943	0 - 600	White	*
1553948	30" - 0 - 400	Black	
1553945	30" - 0 - 600	Black	
1553947	0 - 400	Black	
1553950	0 - 600	Black	

4.5" Gauges		Panel Mounted (1/4" MNPT)	
PART NUMBER	RANGE	DIAL	STOCK
1583952	30" - 0 - 400	White	*
1583953	30" - 0 - 600	White	*
1583962	0 - 400	White	*
1583954	0 - 600	White	*
1583960	30" - 0 - 400	Black	
1583956	30" - 0 - 600	Black	
1583959	0 - 400	Black	
1583961	0 - 600	Black	

FA SERIES Large Specialty Gauges P. 5

6" Gauges		Panel Mounted (1/4" MNPT)	
PART NUMBER	RANGE	DIAL	STOCK
SM 50200	30" - 0 - 400	White	*
SM 50205	30" - 0 - 600	White	*
SM 50210	0 - 600	White	
SM 50215	30" - 0 - 400	Black	
SM 50220	30" - 0 - 600	Black	

BC SERIES Brass Cased Gauges P. 8-9

2.5" Gauges		Panel Mounted (1/4" MNPT)	
PART NUMBER	RANGE	DIAL	STOCK
SW22501	30" - 0 - 400	White	*
SW22541	30" - 0 - 600	White	*
SW22500	0 - 400	White	*
SW22540	0 - 600	White	*
SW22505	30" - 0 - 400	Black	*
SW22545	30" - 0 - 600	Black	*

4" Gauges		Panel Mounted (1/4" MNPT)	
PART NUMBER	RANGE	DIAL	STOCK
SW24000	30" - 0 - 400	White	*
SW24049	30" - 0 - 600	White	*
SW24005	30" - 0 - 400	Black	*
SW24055	30" - 0 - 600	Black	*

50/50 SERIES Drafting Gauges P. 7

80mm Gauges		Panel Mounted (1/4" MNPT)	
PART NUMBER	RANGE	DIAL	STOCK
SM50110	30" - 0 - 300	White	*
SM50130	0 - 400	White	*

100mm Gauges		Panel Mounted (1/4" MNPT)	
PART NUMBER	RANGE	DIAL	STOCK
SM50100	30" - 0 - 300	White	*
SW23995	0 - 400	White	*

SCBA SERIES Breathing Air Gauges P. 6

63mm		2.5" Panel Mounted (1/4" MNPT)		
PART #	PART #	RANGE	DIAL	STOCK
SW10060	4208198	0 - 200	White	*
SW10065	4211721	0 - 600	White	*
SW10070	4214948	0 - 2000	White	*
SW10075	2521492	0 - 7500	White	*
SW10080	1528653	0 - 7500 SCBA	White w/ Color Zones	*
SW10085	4222005	0 - 10,000	White	*

63mm		2.5" Stem Mounted (1/4" MNPT)		
PART #	PART #	RANGE	DIAL	STOCK
SW10089	4119912	0 - 7500	White	*
SW10090	4120936	0 - 10,000	White	*

SPECIFICATIONS

Note: Insert these gauge requirements into your apparatus specification to ensure you get the latest innovations in fire apparatus pressure gauges.

FA SERIES

FIRE APPARATUS PRESSURE GAUGE

All pressure gauges for the water pumping system shall be manufactured by Thuemling Instruments (no exceptions). They shall be fully filled with pulse and vibration dampening Interlube to lubricate the internal mechanisms to prevent lens condensation and to ensure proper operation to minus 40 degrees F. The Zytel nylon cases shall be temperature compensated with an internal breathing diaphragm to permit fully filled cases and to allow a rigid lens with a distortion free viewing area.

To prevent internal freezing and to keep contaminants from entering the gauge, the stem and Bourdon tube shall be filled with low temperature oil and be sealed from the water system using an isolating diaphragm located in the stem (no exceptions).

Individual 2 1/2" or 3 1/2" (delete one) line gauges for each 1-1/2" or larger discharges shall be supplied and mounted adjacent to the discharge valve control handle. A removable bright metal or color coded trim ring (color specified by the fire department) shall be supplied for each gauge.

Two 4 1/2" master pump gauges shall be supplied and mounted in close proximity to the throttle, primer, and engine instrumentation. The intake gauge shall be to the left of the discharge gauge. Bright metal trim rings shall be supplied with each gauge.

To add 'lighted' option, insert the following at the end of the specification:

"Gauges to be supplied with internal, back-lit 12 volt lighting. Replaceable, incandescent or LED bulb in water resistant holder."

BC SERIES

BRASS CASE FIRE APPARATUS GAUGE

All pressure gauges for the water pumping system shall be manufactured by Thuemling Instruments (no exceptions) and be one piece brass construction. They shall be filled with pulse and vibration dampening Interlube to lubricate the internal mechanisms, to prevent lens condensation and to ensure proper operation to minus 40 degrees F. The cast brass cases shall be temperature compensated with a small bubble and have a rigid lens with distortion free viewing area.

Individual 63 mm line gauges for each 1-1/2" or larger discharges shall be supplied and mounted adjacent to the discharge valve control handle. A bright metal trim ring shall be supplied with each gauge.

Two 100mm master pump gauges shall be supplied and mounted in close proximity to the throttle, primer, and engine instrumentation. The intake gauge shall be to the left of the discharge gauge. Bright metal trim rings shall be supplied with each gauge.

50/50 SERIES

FIRE APPARATUS DRAFTING GAUGE

The **50/50 Series** Drafting Gauge, as manufactured by Thuemling Instruments (no exceptions) shall be supplied with a centered needle and expanded vacuum area. Vacuum and pressure viewing area shall be equal. They shall be filled with pulse and vibration dampening Interlube to lubricate the internal mechanisms, to prevent lens condensation and to ensure proper operation to minus 40 degrees F. The stainless steel cases shall be temperature compensated with a small bubble and have a rigid lens with distortion free viewing area.

Two 100mm master pump gauges shall be supplied and mounted in close proximity to the throttle, primer, and engine instrumentation. The intake gauge shall be to the left of the discharge gauge. Bright metal trim rings shall be supplied with each gauge.

Individual 80mm line gauges for each 1-1/2" or larger discharges shall be supplied and mounted adjacent to the discharge valve control handle. A bright metal trim ring shall be supplied with each gauge.

To specify 50/50 Series for Master Pump gauges only:

Eliminate 'individual line gauge' paragraph from this section, and use 'individual line gauge' paragraph from FA or BC Series specifications.

OUR STORY

Established in 1969, SPAN's founder, Leo Whitson began making the first American made liquid filled gauges in Plano, Texas for the oil patch industry. SPAN Instruments also pioneered the use of liquid filled pressure gauges in the fire truck industry in the 1980s. The SPAN gauge became the "standard" of the industry and was used by most major fire truck manufacturers through-out the country.

In 1995 SPAN shifted its focus to new fields such as the growing electronic and semiconductor markets. Gauges for the fire truck industry were then offered by an exclusive distribution and assembly partner who specialized in related products for the fire truck marketplace. A few years later the partner bought out SPAN's interest in the fire truck gauge product line.

In 1998 the Thuemling Instrument Group, Inc. purchased the Industrial pressure gauge portion of SPAN Instruments. The Thuemling family has been associated with SPAN since 1971 and has over 40 years of experience in the OEM pressure and temperature gauge field. From their new facility in Waukesha, Wisconsin, over the last seven years they have supplied over a million new generation SPAN Industrial gauges to the harshest environments such as construction equipment, mobile hydraulics, mining and process industries. The SPAN Industrial gauge has been strengthened, refined and many NEW options and features have been added.

Today, we are proud to introduce the new generation of the "one that started it all", the original 'Series FA' fire apparatus liquid filled pressure gauge. In addition, we offer NEW innovative products and features unique to the fire fighting environment. Come see "what's new" in fire truck pressure instrumentation.

Give us a call at 1-800-686-1789

**CONTINUOUS DEVELOPMENT AND REFINEMENT
OF OUR PRODUCTS MAY RESULT IN SPECIFICATION
CHANGES WITHOUT NOTICE.**

THUEMLING INSTRUMENT GROUP, INC. • P.O. Box 1625 • Waukesha, WI 53187-1625, USA
Telephone: 262-547-1789 • Toll Free: 1-800-686-1789 • Fax: 262-547-6493

Visit Us Online at www.spaninstruments.com
Email: thuemling@earthlink.net



THUEMLING
INSTRUMENT GROUP

*Manufacturers of **SPAN** Industrial Pressure Gauges*

THUEMLING INSTRUMENT GROUP, INC. • P.O. Box 1625 • Waukesha, WI 53187-1625, USA
Telephone: 262-547-1789 • Toll Free: 1-800-686-1789 • Fax: 262-547-6493

Visit Us Online at www.spaninstruments.com
Email: thuemling@earthlink.net

© 2018 Thuemling Instrument Group. All Rights Reserved.
Revised 4-2018.