

Series 50/50 Fire Apparatus Gauge - 100 mm

Overview

- Drafting Master Gauge
- Allows Most Accurate Vacuum Readings
- Conforms to NFPA 1901, 2008 Edition

Benefits

- 50% of Dial Shows Vacuum Readings
- Zero is at 12:00 Position of Dial
- Great for Rural Fire Fighting

Standard Features

- Case Material: 304 Stainless Steel
- Bezel Material: Bright Polished Stainless Steel
- Socket: 1/4" NPT male brass center back connection
- Bourdon Tube: Double Phosphor bronze diaphragm
- Lens: Safety Glass
- Fill Fluid: None - Gauge is DRY
- Dial: Aluminum, Two Sided Baked Enamel Finish
- Accuracy: 1% Full Scale - ANSI Grade 1A
- Ranges: 30-0-300; PSI; PSI/KPA
- Pointer: Black Aluminum
- Mounting: Panel Mounting with Studded Case and 2 Piece Bracket

Available Options

- 80 mm (3.14") gauge available
- MCR-40 polished stainless steel adapter ring for retrofit applications



50/50 Series – Fire Apparatus Drafting Gauge

This unique gauge allows the most accurate vacuum readings available. Perfect for drafting. 50% of the scale shows precise vacuum reading.

Special construction also allows accurate pressure readings up to 300 PSI without damage to the vacuum side of the gauge when used in-line with pressurized water sources.

Conforms to proposed NFPA 1901, 2808 Edition new specifications.

Series 50/50 Fire Apparatus Gauge – 100 mm

Ordering Guide

MODEL NUMBERS:

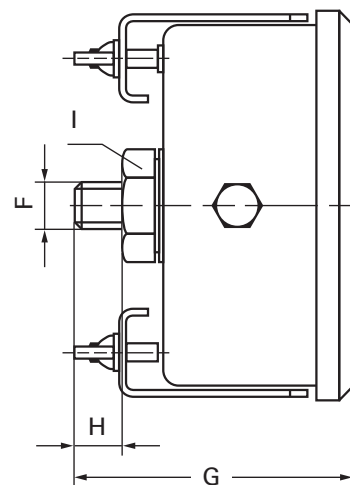
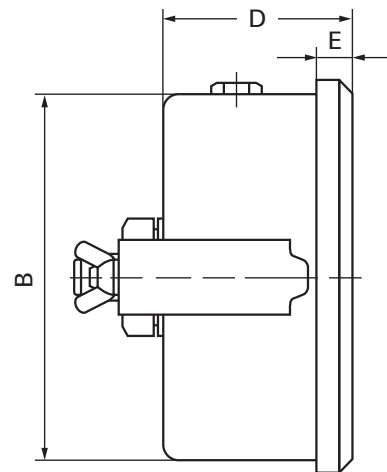
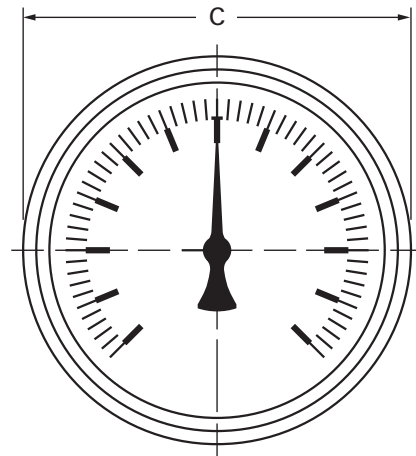
50/50-LFP-80 = 3.14" Panel Mount, 30"-0 – 30 PSI

50/50-LFP-100 = 4" Panel Mount, 30"-0 – 300 PSI

*For matching master high pressure "Discharge" gauge, consult factory.

ACCESSORIES:

MCR-40 Polished stainless steel adapter ring allows retrofit applications in 4 5/8" master gauge panel holes



Dimensions								
A	B	C	D	E	F	G	H	I
80	79	86	51	9	75	1/4" NPT	13	27
3 in	3.11	3.39	2.01	0.35	2.95	1/4" NPT	0.51	1.06
100	99	106	52	10	76	1/4" NPT	13	27
4 in	3.90	4.17	2.05	0.39	2.99	1/4" NPT	0.51	1.06

Thuemling Instrument Group

1225 Pearl Street, Waukesha, WI 53186 • Phone: 262-547-1789 • Fax: 262-547-6493
 Web: www.thuemling.com • Email: thuemling@earthlink.net

