

# SPAN<sup>TM</sup>



## *Industrial Gauges*

*Catalog 224A*

# SPAN LIQUID FILLED PRESSURE GAUGES

There certainly are a lot of gauges to choose from these days. Many are imported. Most have the same stainless crimped ring throw away construction. But there is one gauge that is **American Made** and totally different in construction and appearance. This catalog features that gauge - The **ORIGINAL SPAN LIQUID FILLED PRESSURE GAUGE SERIES**.

## ONLY SPAN GAUGES OFFER THESE UNIQUE FEATURES

- **ZYTEL NYLON CASE:** Tough, corrosion resistant, impact resistant, Zytel Nylon case. Over 10,000 lb. tensile strength. Removable bezel design allows repair or recalibration.
- **ALL SIZES MATCH:** All SPAN 2-1/2", 3-1/2" and 4-1/2" stem and panel mount cases are uniform and match in appearance.
- **"FULLY FILLED":** The internal "breathing diaphragm" eliminates the need for an air bubble in the mid-range of the gauge, which can distort readings and looks unsightly. The ICD is standard on some 2-1/2" and all 3-1/2" and 4-1/2" models. (Available as an option when not standard.)
- **TEMPERATURE COMPENSATED:** The ICD compensates the case (to 150°F) for changes in internal case pressure caused by fluctuations in ambient temperature. (Especially important in lower pressure and vacuum gauges.)
- **LARGER DIAL:** Because the American Made SPAN is built to ANSI/ASME B40 Standards, our dial is 2-1/2". (Our imported competition measures the case, not the dial.) See the difference for yourself. This is the easiest reading 2-1/2" gauge on the market.
- **FREEZE PROOF:** The KEM-X Socket Saver is an internal diaphragm seal to prevent freezing, clogging and corrosion. It is available on all SPAN gauges. (See Page 6 of Catalog.)
- **NON-YELLOWING GLYCERIN FILL:** Standard fill: non-yellowing, crystal clear glycerin (interlube) for temperatures -40° to 150°F. For ranges below 30 PSI used below -10°F, specify 70-30 glycerin.
- **SPECIALS:** Custom dials, logos, removable stainless steel bezels and specially manufactured instrumentation are available. Because we control the manufacturing, we can offer special options with lower quantity requirements and make a gauge exactly as you want it for your application.

**Give us a call to design one for you at 1-800-686-1789**

**About the Cover:** SPAN Gauges are proud to be a supply partner on the US Navy Littoral Combat Ship fleet currently under construction. Pictured is LCS-3 *USS Fort Worth* during 'builders trials' on Lake Michigan. (Photo courtesy of Lockheed Martin by Michael Rote/Released.)

The 'Original' SPAN pressure gauge with brass socket and phosphor bronze bourdon tube:

- Corrosion resistant Zytel case
- 'Fully Filled'
- Lighted gauge option
- Temperature compensated case
- Freezeproof Kem-X socket saver option

## Stainless Socket Gauges

The 'Original' SPAN pressure gauge with 316 stainless steel socket and tube:

- Corrosion resistant Zytel case
- 'Fully Filled'
- Lighted gauge option
- Temperature compensated case
- Freezeproof Kem-X socket saver option

## SPAN Gauge Options

- Internal Compensating Diaphragm
- Kem-X Socket Saver
- Lighted Gauge Option
- CSA Approval
- Mini Seals
- NIST Certification
- Sanitary Gauge
- Duplex Gauge

## SPAN Process Gauges

The Industrial Process Series in Two Styles

- #20 Series in Stainless Steel Case with Bayonet Ring
- #70/80 Series in Solid Front Safety Case

## Stainless Case Liquid Filled Gauges

The SC Series SPAN pressure gauge with stainless steel case

- 2" (50mm), 2-1/2" (63mm) and 4" (100mm) metric case sizes
- Brass and stainless steel construction
- Bottom, back and panel mounting styles available

## Steel Case Dry Economy Gauges

The EC Series SPAN pressure gauge with steel case

- 1-1/2", 2", 2-1/2" & 3-1/2" case sizes
- Brass construction
- Ranges from VAC - 5000 PSI
- Bottom, back and panel mounting styles available

## SPAN Pressure Transducers

The 4200 Series SPAN Pressure Transducer Line

- Various voltage outputs
- Selection of electrical connectors
- Ranges from VAC - 10,000 PSI
- Kem-X clog-proof option

## SPAN Sub-Sea Gauges

- Ranges from VAC - 20,000 PSI
- Special construction for Sub-Sea service
- White on Black dial
- HNBR Socket O-Ring

# SPAN™

## Liquid Filled Industrial Gauges

### Overview

SPAN gauges are designed for rugged service applications where brass & copper materials are compatible with the media being used. Liquid fill fluid dampens the gauge pointer movement for improved readings and longer life, making SPAN gauges ideal for high shock and vibration applications.

Our Zytel case and ring offer good appearance and excellent resistance to chemical, weather, and corrosion attack.

The SPAN gauge has many optional features that allow a user to develop a basic or special product specification.

### Benefits

- "Fully Filled": The internal "breathing diaphragm" eliminates the need for an air bubble in the mid-range of the gauge, which can distort readings and look unsightly. The ICD is standard on 2.5" dials up to 60 PSI, optional on higher ranges and standard on all 3.5" and 4.5" dials.
- Temperature compensated: The ICD compensates the case (to 150° F) for changes in internal case pressure caused by fluctuations in ambient temperature. (Especially critical in lower pressure and vacuum gauges.)
- Freeze proof: The KEM-X Socket Saver is an internal diaphragm seal to prevent freezing, clogging, and corrosion. It is available on all SPAN gauges.
- Lighted Dial: SPAN offers the only lighted and liquid filled gauge. 12 volt incandescent or LED in white, blue, green or red.

### Applications

- Mobile Hydraulic Equipment
- Fire Apparatus
- Irrigation / Water purification
- Bulk Transport Trailers
- Waste Water / Slurry
- Military / Marine



### Construction Data

Case	Zytel Nylon - black
Bezel	Zytel Nylon - removable
Socket	Brass
Bourdon Tubes	Copper Alloy Vac to 1000 PSI "C" tube 1500 to 7500 stainless spiral tube
Pressure Connection	1/4" npt male (JIC optional)
Lens	Acrylic
Pointer	Black aluminum
Movement	Swiss movement copper alloy
Dial	White aluminum
Fill fluid	High purity glycerin
Ranges	Vacuum, compound to 7500 PSI

### Dial Ranges and Intervals

Standard Dial Range	Major	Minor	Standard Dial Range	Major	Minor
30" Hg	5"	.5"	0-200	20	2
30-0-15	10"-3 psi	2"-1 psi	0-300	50	5
30-0-30	10"-5 psi	2"-1 psi	0-400	50	5
30-0-60	30"-10 psi	5"-2 psi	0-600	100	10
30-0-150	30"-25 psi	10"-5 psi	0-1000	100	10
30-0-300	30"-50 psi	15"-10 psi	0-1500	300	20
30-0-600	30"-100 psi	30"-20 psi	0-2000	200	20
0-15	3	.2	0-3000	500	50
0-30	5	.5	0-5000	500	50
0-60	10	1	0-6000	1000	100
0-100	10	1	0-7500	1500	100
0-160	20	2			

## SPAN™ Liquid Filled Industrial Gauge 2.5", 3.5" and 4.5"

### Temperature Error

Additional error when temperature changes from reference temperature of 68F (20C)  $\pm 0.4\%$  for every 18F (10C) rising or falling as a percentage of Span.

### Performance Data

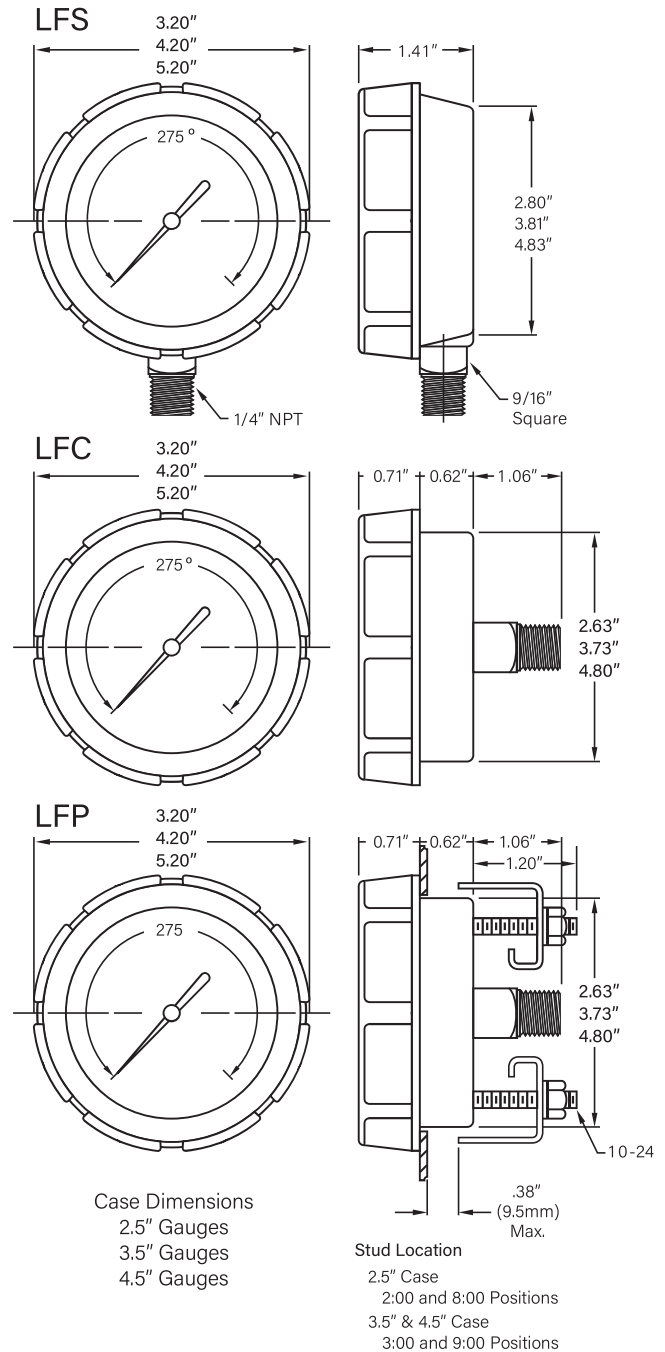
Accuracy - 2.5" - 3.5" & 4.5"	2/1/2% Grade A (1% Grade 1A Optional) 1% Full Scale Grade 1A
Design	ANSI/ASME B40.1
Ambient Temp.	-40° to 150° F

### Weather Protection

Weather tight (NEMA 4X / IP 65)

### Optional Extras

ICD	=	Internal temperature compensating diaphragm
IPG	=	Lighted dial
IB	=	KEM-X Buna-N diaphragm
IV	=	KEM-X Viton diaphragm
IE	=	KEM-X EPDM diaphragm
SCK	=	Threaded socket restrictor
CERT	=	NIST Certified with calibration points
SFB	=	S.S. Bezel
RECAL	=	Slotted adjustable pointer
O2C	=	Oxygen cleaning
GL	=	Glass lens
STUD	=	Back mount studs and hardware for panel mounting
DM	=	Dampened movement
WC	=	Sanitary applications, white case
OEM	=	Custom dials
JIC	=	#4 JIC process connection
COL	=	Color coded bezel



Ordering Number for 3.5" Span Gauge - Construct by selecting one item from each of the columns below:

Configuration	Dial Size	Accuracy	Wetted Parts	Range	Fill	Options
LFS = Stem Mount Bottom	2 = 2-1/2	1 = 1% Accuracy	0 = Phosphor Bronze Tube, Brass Socket	Please specify from chart	G = Glycerin Filled	From option list
LFC = Center Back Mount	3 = 3-1/2	2 = 2/1/2% Accuracy	4 = above 1000 PSI 316 Stainless Steel Tube, Brass socket		D = Dry No Fill	
LFP = Panel Mount U-Clamp	4 = 4-1/2					
Example: LFS -	3	1	0 -	100 -	G	CERT

( LFS-310-100-G - CERT )

# SPAN™

## Liquid Filled Industrial Gauges

### Overview

SPAN gauges are designed for rugged service applications where 316 stainless steel materials are compatible with the media being used. Liquid fill fluid dampens the gauge pointer movement for improved readings and longer life, making SPAN gauges ideal for high shock and vibration applications.

Our Zytel case and ring offer good appearance and excellent resistance to chemical, weather, and corrosion attack.

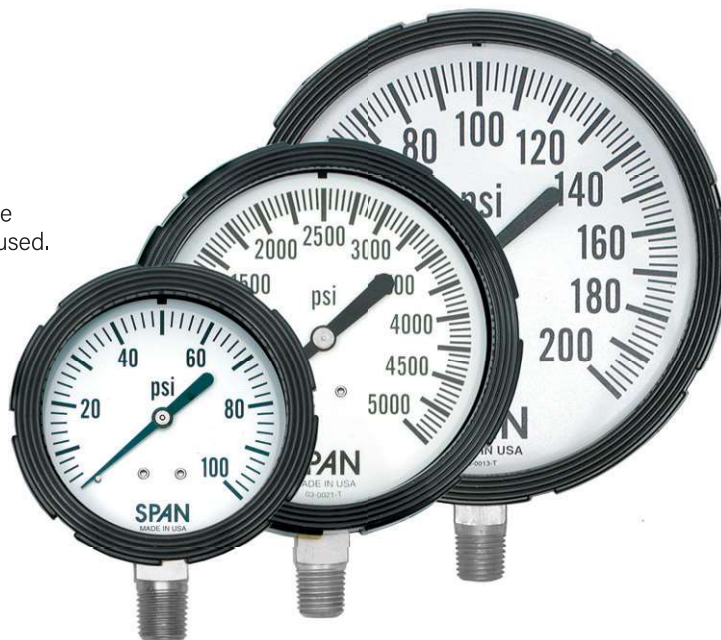
The SPAN gauge has many optional features that allow a user to develop a basic or special product specification.

### Benefits

- “Fully Filled”: The internal “breathing diaphragm” eliminates the need for an air bubble in the mid-range of the gauge, which can distort readings and looks unsightly. The ICD is standard on all stainless socket gauges.
- Temperature compensated: The ICD compensates the case (to 150° F) for changes in internal case pressure caused by fluctuations in ambient temperature. (Especially critical in lower pressure and vacuum gauges.)
- Freeze proof: The KEM-X Socket Saver is an internal diaphragm seal to prevent freezing, clogging, and corrosion. It is available on all SPAN gauges.
- Lighted Dial: SPAN offers the only lighted and liquid filled gauge. 12 volt incandescent or LED in white, blue, green or red.

### Applications

- Mobile Hydraulic Equipment
- Irrigation / Water Purification
- Waste Water / Slurry
- Food / Pharmaceutical
- Bulk Transport Trailers
- Military / Marine



### Construction Data

Case	Zytel Nylon – black
Bezel	Zytel Nylon – removable
Socket	316 Stainless Steel - TIG Welded
Bourdon Tubes	316 Stainless Steel Vac to 1000 PSI “C” tube 1500 to 20,000 stainless spiral tube
Pressure Connection	¼” NPT Male (JIC optional)
Lens	Acrylic
Pointer	Black aluminum
Movement	Swiss movement stainless steel
Dial	White aluminum
Fill fluid	High purity glycerin
Ranges	Vacuum, compound to 20,000 PSI

### Dial Ranges and Intervals

Standard Dial Range	Major	Minor	Standard Dial Range	Major	Minor
30” Hg	5”	.5”	0-300	50	5
30-0-15	10”-3 psi	2”-1 psi	0-400	50	5
30-0-30	10”-5 psi	2”-1 psi	0-600	100	10
30-0-60	30”-10 psi	5”-2 psi	0-1000	100	10
30-0-150	30”-25 psi	10”-5 psi	0-1500	300	20
30-0-300	30”-50 psi	15”-10 psi	0-2000	200	20
30-0-600	30”-100 psi	30”-20 psi	0-3000	500	50
0-15	3	.2	0-5000	500	50
0-30	5	.5	0-6000	1000	100
0-60	10	1	0-7500	1500	100
0-100	10	1	0-10,000	1000	100
0-160	20	2	0-15,000	2000	200
0-200	20	2	0-20,000	4000	500

## SPAN™ Liquid Filled Industrial Gauge 2.5", 3.5" and 4.5"

### Temperature Error

Additional error when temperature changes from reference temperature of 68F (20C) + -0.4% for every 18F (10C) rising or falling as a percentage of Span.

### Performance Data

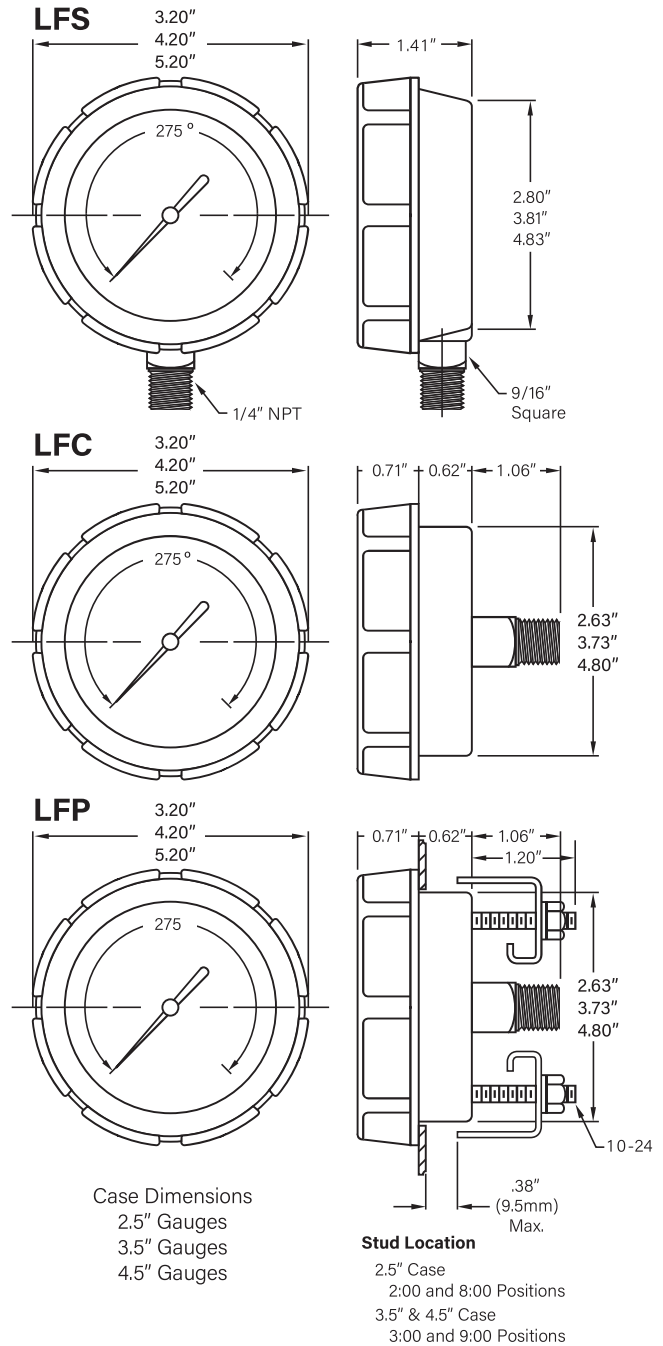
Accuracy	1% Full Scale Grade 1A
Design	ANSI/ASME B40.1
Ambient Temp.	-40 to 225F

### Weather Protection

Weather tight (NEMA 4X / IP 65)

### Optional Extras

ICD	=	Internal temperature compensating diaphragm
IPG	=	Lighted dial
IB1	=	KEM-X Buna-N diaphragm
IV1	=	KEM-X Viton diaphragm
IE1	=	KEM-X EPDM diaphragm
SCK	=	Threaded socket restrictor
CERT	=	NIST Certified with calibration points
SFB	=	S.S. Bezel
RECAL	=	Slotted adjustable pointer
O2C	=	Oxygen cleaning
GL	=	Glass lens
STUD	=	Back mount studs and hardware for panel mounting
DM	=	Dampened movement
WC	=	Sanitary applications, white case
OEM	=	Custom dials
JIC	=	#4 JIC process connection
COL	=	Color coded bezel



Case Dimensions  
2.5" Gauges  
3.5" Gauges  
4.5" Gauges

### Stud Location

- 2.5" Case  
2:00 and 8:00 Positions
- 3.5" & 4.5" Case  
3:00 and 9:00 Positions

**Ordering Number for 3.5" Span Gauge -** Construct by selecting one item from each of the columns below:

Configuration	Dial Size	Accuracy	Wetted Parts	Range	Fill	Options
LFS = Stem Mount Bottom	2 = 2-1/2"	1 = 1% Accuracy	2 = 316 Stainless Steel tube and socket	Please specify from chart	G = Glycerin Filled D = Dry No fill	From option list
LFC = Center Back Mount	3 = 3-1/2"	2 = 2% Accuracy (20,000 PSI Only)				
LFP = Panel Mount U-Clamp	4 = 4-1/2"					
<b>Example:</b> LFS -	<b>3</b>	<b>1</b>	<b>2 -</b>	<b>5000 -</b>	<b>G</b>	<b>CERT</b>

( LFS-312-5000-G - CERT )



# SPAN™

## Fully-Filled Case with Temperature Compensation

The internal "breathing diaphragm" eliminates the need for an air bubble in the mid-range of the gauge, which can distort readings and look unsightly.

The "ICD" is standard on all 2-1/2" low pressure gauges (optional above 60 PSI), and standard on all ranges of 3-1/2" and 4-1/2" FA-Series gauges.

The "ICD" also prevents accuracy shift from changes in internal case pressure caused by fluctuations in ambient temperatures from -20 to 150° F.

▲ ICD Temperature Compensating Case

# SPAN™

## KEM-X Socket Saver

### FREEZE PROOF PROTECTION (STANDARD)

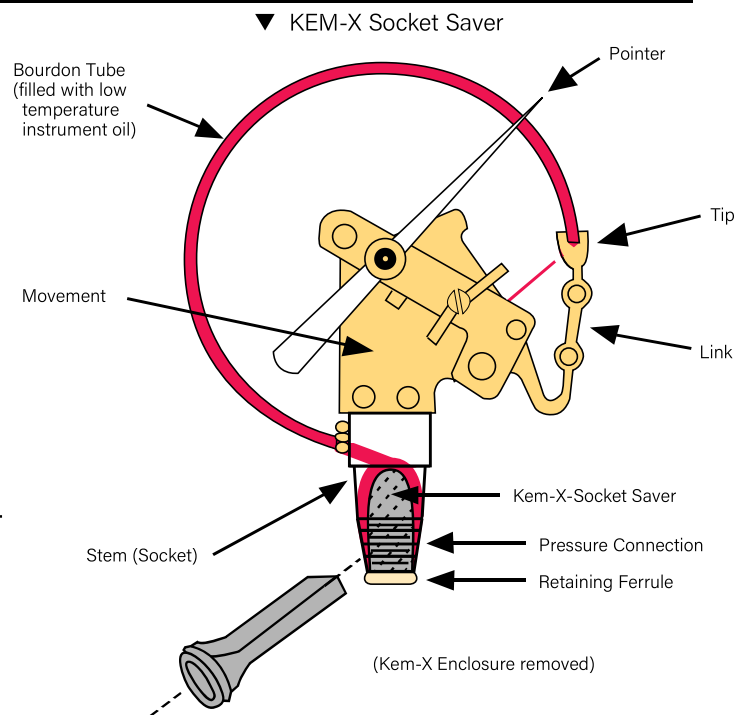
Keep mud, water and slurry from entering the Bourdon tube of your gauge with our exclusive, patented "Kem-X Socket Saver". Once the tube of the gauge has been evacuated and filled with instrument oil, a special BUNA-N 'boot' is inserted directly in the socket of the gauge and held in place by a retaining ferrule. This combination isolates any water from the wetted parts of the instrument. Our Kem-X prevents freezing from harming your gauge.

### FEATURES

- Isolates corrosive media
- Eliminates freezing problems
- Prevents gauge clogging
- Eliminates heavy metal external isolators, which are cumbersome and expensive

### APPLICATIONS

- Agricultural Spray Equipment
- Chemical Plants
- Refineries
- Water Treatment Plants
- Power Plants
- Salt Water Service



- **TYPE**  
Internal isolating diaphragm
- **KEM-X Socket Saver**  
Material Options  
Buna-N, Viton or EPDM
- **PRESSURE RANGES**  
15 to 10,000 PSI



# SPAN™

## SPAN Gauge Options

### Lighted, Liquid-filled Pressure Gauges

The industries first illuminated, liquid filled pressure gauge. The 'IPG' option (patent pending) is available on all SPAN 2.5", 3.5" and 4.5" gauges in all mounting styles.

#### APPLICATIONS

- Mobile Construction Equipment
- Mobile Service/Support Vehicles
- Low-light, In Plant Locations

#### SPECIFICATIONS

- BULB  
Replaceable. 12 or 24 volt  
LED or Incandescent
- ELECTRICAL CONNECTION  
18" flying leads standard
- WATERPROOF BULB HOLDER



▲ Lighted Liquid-filled Pressure Gauge - Rear Detail

▼ SPAN 2.5" with CSA Approval for NGV Fuel Systems



# SPAN™



### 2.5" Gauges with CSA Approval for NGV use

For Fuel System Component for compressed natural gas powered vehicles. Available on the SPAN 2.5" Stainless Gauge in all mounting configurations and in select ranges.

#### Available Ranges:

100psi, 160psi, 200psi, 300psi, 400psi, 600psi, 2,000psi, 3,000psi, 5,000psi, & 6,000psi



# SPAN™

## Mini Seal

SPAN has developed a unique seal utilizing a specially designed elastomeric diaphragm that allows the housing to be compact, easy to use and inexpensive. The Mini-Seal should be used where process media is of a clogging, corrosive or freezing nature.

### Features

- Compact
- Lightweight
- Inexpensive
- Many housing materials available
- 30 to 2000 PSI

### NOTE

Other housing or diaphragm materials available on request. Diaphragm seals must be assembled to the SPAN gauge or switch at our factory.

▲ SPAN Mini Seals

▼ NIST Certification

# SPAN™

## N.I.S.T. CERTIFICATION

ANY SPAN Industrial Gauge can be tested, serialized and certified traceable to N.I.S.T. accuracy standards.

We offer General Certificates of Accuracy and Calibration Certificates with Test Points.

Please ask one of our product specialists for details.

### SPAN CALIBRATION CERTIFICATE

Description: LFS212-5000-PSI-G

Catalog No. 4117508 Serial No. S118200

Operating Range 0 TO 5000 PSI Accuracy  $\pm$  0.60 (%FS)

INCREASING PRESSURE			DECREASING PRESSURE		
Applied press.	Indicated Press.	Difference	Applied press.	Indicated Press.	Difference
1000	990	-10	4000	4020	20
2000	1990	-10	3000	3030	30
3000	2990	-10	2000	2030	30
4000	3990	-10	2000	1020	20
5000	4980	-20	1000		
Allowable Operating Tolerance $\pm$ <u>50 PSI</u>					

INSTALLATION DATE: \_\_\_\_\_

Span certifies that this instruments accuracy has been tested and calibrated with test standards traceable to N.I.S.T. as specified in American National Standards ASME B40.100-2013,PP6.1 And test procedures as specified in ASM B40.100-2013,PP6.2

Calibrated in upright Position      Temperature 72 DEG

Date of Certification 2/28/2024      Inspector [Signature]

**THUEMLING INSTRUMENT GROUP**  
MANUFACTURER OF SPAN GAUGES  
 P O BOX 1625 WAUKESHA, WI 53107-1625 P I ONE (262) 547-1709  
 1225 PEARL STREET WAUKESHA WI 53186-4887 FAX (262) 547-6493

### Sanitary Gauge

SPAN Sanitary Gauges provide a Tri-Clamp® process connection with a 2-1/2" or 3-1/2" dial size.

#### FEATURES

- CASE MATERIAL - Zytel Nylon for corrosion resistance
- BEZEL MATERIAL - Polished Stainless Steel
- INTERNAL COMPONENTS - 316 Stainless Steel
- INTERNAL BREATHING DIAPHRAGM - Reduces temperature effects and Zero Shift
- FILL FLUID - Glycerin, "Fully Filled"
- 3A APPROVED DIAPHRAGM SEAL

#### SPECIFICATIONS

- ACCURACY -  $\pm 1\%$  of scale
- PROCESS CONNECTION - 1.5", 2", 2.5", 3" or 4" Tri-Clamp® Stem or center back
- PRESSURE RANGES AVAILABLE - 30" Hg to 600 PSI
- OPERATING TEMPERATURES - 40° to 260°F

#### SYSTEM FILL FLUID OPTIONS

- NEOBEE OIL (Standard Fill)
- VEGETABLE OIL
- FOOD GRADE SILICONE
- GLYCERIN



SPAN SANITARY LIQUID FILLED GAUGE ▲

▼ DPX-410 - 4.5" DUPLEX LIQUID FILLED GAUGE

### 4.5" DUPLEX GAUGE

#### SPECIFICATIONS

- CASE MATERIAL - Zytel Nylon
- BEZEL MATERIAL - Stainless Steel
- SOCKET - Bronze equipped with Kem-X diaphragm protection
- BOURDON TUBE - 316 Stainless Steel filled with low temperature material
- CONNECTION - 1/4" Male NPT Lower back, side by side
- LENS - Acrylic
- FILL FLUID - Glycerin
- DIAL - White with black markings
- ACCURACY -  $\pm 1\%$  of scale
- POINTERS - 1 Red, 1 Black
- TEMPERATURE COMPENSATION Internal breathing diaphragm
- PRESSURE RANGES AVAILABLE 0-160, 0-400 PSI
- MODEL NUMBERS - DPX-410



# SERIES #20 INDUSTRIAL PROCESS GAUGE

4½", 6" and 8½" SIZES

For SOLID FRONT SAFETY PROCESS GAUGES, see Page 12

This series is designed for the rugged applications of demanding industries such as chemical, petroleum, and other services where accurate and dependable gauges are required.

## STANDARD FEATURES:

**MOVEMENT:** Stainless steel rotary geared movement with dissimilar stainless steel bushings and stainless steel link and screws.

**POINTER:** Lightweight balanced construction with Micrometer adjustment feature.

**DIAL:** Heavy gauge aluminum.

**WINDOW\*:** Glass.

**CONNECTION:** 1/4" or 1/2" NPT male connection at bottom or back of case.

**ACCURACY:** ASME/ANSI B40.1 Grade 2A (½%).

\* Additional options available as noted on next page.



## BOURDON TUBE:

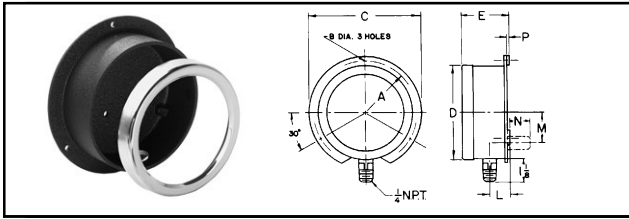
ORDER CODE	BOURDON TUBE:	RANGES TO:
1	Phosphor bronze tubing silver brazed to brass machined socket.	1,000 psi
3	Type 316 stainless steel tubing welded to type 316 stainless steel machined socket.	10,000 psi

## STANDARD RANGES:

STANDARD DIAL RANGE	MAJOR	MINOR	ORDER CODE	AVAILABLE SIZES:			STANDARD DIAL RANGE	MAJOR	MINOR	ORDER CODE	AVAILABLE SIZES:		
				4½"	6"	8½"					4½"	6"	8½"
0-30" VAC.	5"	.20"	01	✓	✓	✓	0-200 psi	20 psi	2 psi	07	✓	✓	✓
30"-0-15 psi	5" & 3 psi	1" & .50 psi	21	✓	✓	✓	0-300 psi	50 psi	2 psi	08	✓	✓	✓
30"-0-30 psi	10" & 5 psi	1" & .50 psi	22	✓	✓	✓	0-400 psi	50 psi	5 psi	09	✓	✓	✓
30"-0-60 psi	10" & 10 psi	1" & 1 psi	23	✓	✓	✓	0-500 psi	50 psi	5 psi	10	✓	✓	✓
30"-0-100 psi	30" & 10 psi	2" & 1 psi	24	✓	✓	✓	0-600 psi	50 psi	5 psi	11	✓	✓	✓
30"-0-150 psi	30" & 30 psi	5" & 2 psi	25	✓	✓	✓	0-800 psi	100 psi	10 psi	12	✓	✓	✓
30"-0-200 psi	30" & 20 psi	5" & 2 psi	26	✓	✓	✓	0-1000 psi	100 psi	10 psi	13	✓	✓	✓
30"-0-300 psi	30" & 50 psi	5" & 2 psi	27	✓	✓	✓	0-1500 psi	200 psi	10 psi	14	✓	✓	✓
30"-0-400 psi	30" & 50 psi	10" & 5 psi	28	✓	✓	✓	0-2000 psi	200 psi	20 psi	15	✓	✓	✓
30"-0-600 psi	30" & 50 psi	10" & 5 psi	74	✓	✓	✓	0-3000 psi	500 psi	20 psi	16	✓	✓	✓
0-15 psi	1 psi	.10 psi	02	✓	✓	✓	0-5000 psi	500 psi	50 psi	17	✓	✓	✓
0-30 psi	5 psi	.20 psi	03	✓	✓	✓	0-10000 psi	1000 psi	100 psi	18	✓	✓	✓
0-60 psi	5 psi	.50 psi	04	✓	✓	✓							
0-100 psi	10 psi	1 psi	05	✓	✓	✓							
0-160 psi	20 psi	1 psi	06	✓	✓	✓							

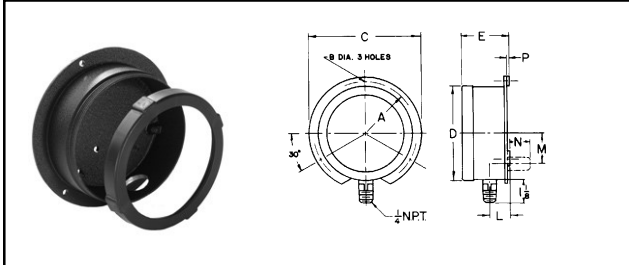
\* Above PSI Ranges are available with dual scale metric KPA or BAR scales. Note\* 8-1/2" gauges are PSI only.

## AVAILABLE CASE STYLES.



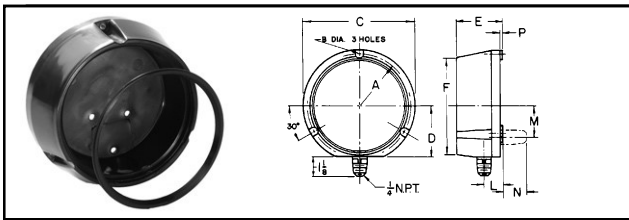
**STYLE 1 - Black Aluminum Case with Slip Ring**

SIZE	A	B	C	D	E	L	M	N	P
4½"	2.68"	.20"	5.87"	4.85"	2.15"	.84"	1.18"	1.81"	.062"



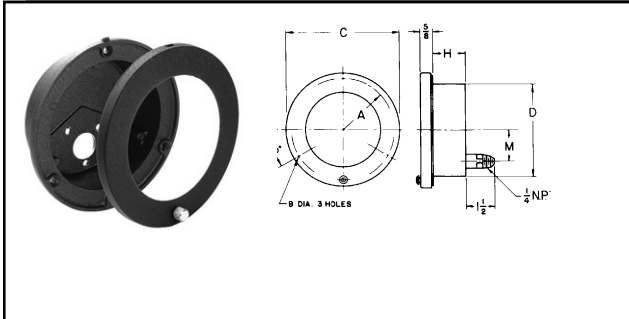
**STYLE 2 - Black Aluminum Case with Twist Ring**

SIZE	A	B	C	D	E	L	M	N	P
6"	3.38"	.20"	7.43"	6.56"	2.20"	.84"	1.18"	1.81"	.062"
8½"	4.81"	.20"	10.25"	9.19"	2.20"	.84"	1.18"	1.81"	.062"



**STYLE 5 - Phenol Turret Case for Wall, Panel or Direct Mounting**

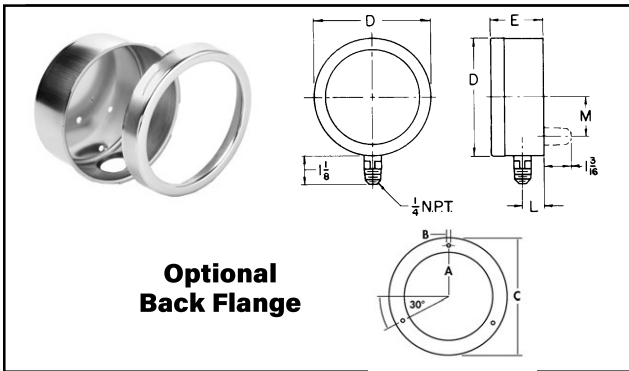
SIZE	A	B	C	D	E	F	L	M	N	P
4½"	2.69"	.22"	5.84"	2.62"	2.15"	4.93"	.875"	1.18"	1.50"	.062"



**STYLE 6 - Black Aluminum Case with Hinged Ring Front Flange**

SIZE	A	B	C	D	H	M	X
4½"	2.69"	.22"	6.00"	4.75"	1.60"	1.18"	4.81"
6"	3.50"	.22"	7.62"	6.34"	1.51"	1.18"	6.47"

X = Panel Hole Cut-Out Diameter.



**STYLE 7 - Polished Stainless Steel Case with Twist Ring**

SIZE	A	B	C	D	E	L	M
4½"	2.68"	.22"	5.89"	5.20"	2.05"	.63"	1.18"

**Ordering Number - Construct by selecting one item from each of the columns below:**

1	Dial Size:	2	Series Number:	3	Case Style:	4	Range Code:	5	Connection Size and Style:	6	Bourdon Tube and Socket Code:
	4½" = 4 6" = 6 8½" = 8		= 20		= 1 = 2 = 5 = 6 = 7 = 7BF		See standard range chart for code.		1 = 1/4" NPT Bottom 2 = 1/4" NPT Back 3 = 1/2" NPT Bottom 4 = 1/2" NPT Back		1 = Bronze 3 = Stainless Steel
	<b>Example:</b> 42071533										
	4		20		7		15		3		3

# SERIES #70 and 80 SOLID FRONT SAFETY PROCESS GAUGE

4½" SIZES ONLY

This series features a solid front / blow-out back case which offers the operator maximum protection in the event of a bourdon tube failure. The safety case construction is widely specified in "Process Gauge" applications. The sealed case design allows the gauge to be dry or glycerin filled.

## STANDARD FEATURES:

**CASE:** Turret style, black, fiberglass reinforced thermoplastic. Solid front / blow-out back safety case. Threaded bezel ring.

**MOVEMENT:** Stainless steel rotary geared movement with dissimilar stainless steel bushings and stainless steel link and screws.

**POINTER:** Lightweight balanced construction with Micrometer adjustment feature.

**DIAL:** Heavy gauge aluminum.

**WINDOW\*:** Acrylic. (Safety Glass Optional.)

**FILL:** Series 70 - Dry  
Series 80 - Glycerin Filled

**CONNECTION:** 1/4" or 1/2" NPT male connection at bottom with restrictor, 316 Stainless Steel.

**ACCURACY:** ASME/ANSI B40.1 Grade 2A (½%).

\* Additional options available as noted on next page.



## BOURDON TUBE:

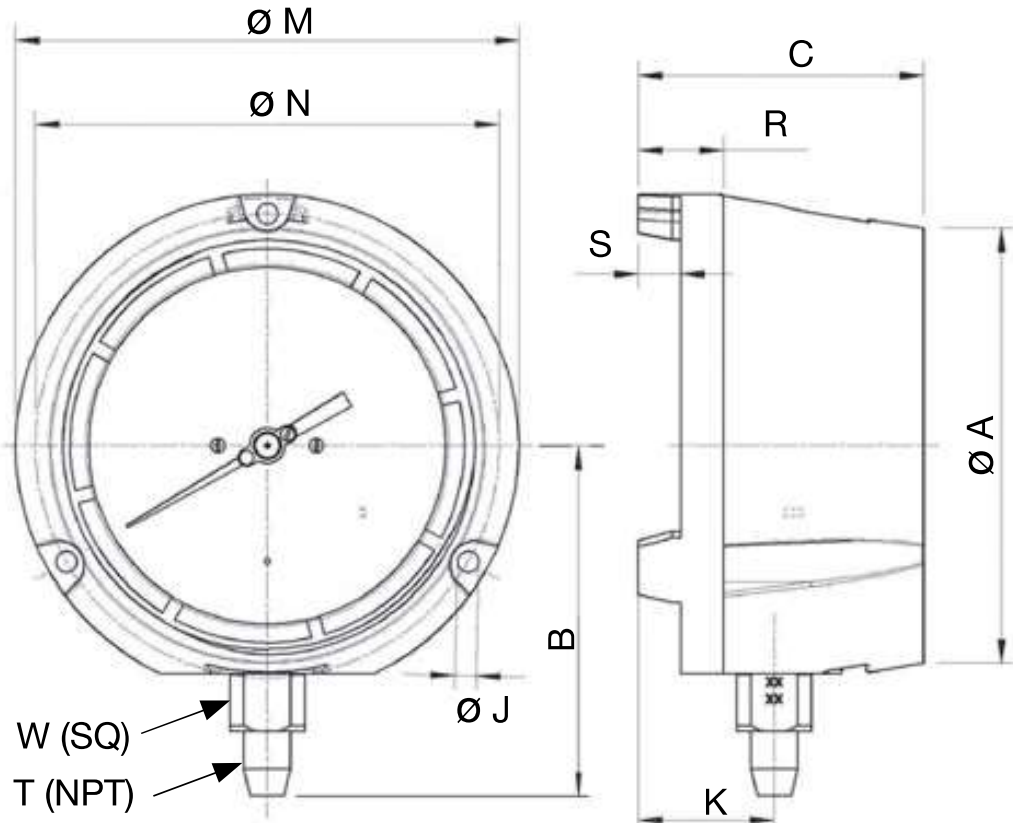
ORDER CODE	BOURDON TUBE:	RANGES TO:
3	Type 316 stainless steel tubing welded to type 316 stainless steel machined socket.	20,000 psi

## STANDARD RANGES:

STANDARD DIAL RANGE	MAJOR	MINOR	ORDER CODE	AVAILABLE SIZES:	STANDARD DIAL RANGE	MAJOR	MINOR	ORDER CODE	AVAILABLE SIZES:
				4½"					4½"
0-30" VAC.	5"	.20"	01	✓	0-200 psi	20 psi	2 psi	07	✓
30"-0-15 psi	5" & 3 psi	1" & .50 psi	21	✓	0-300 psi	50 psi	2 psi	08	✓
30"-0-30 psi	10" & 5 psi	1" & .50 psi	22	✓	0-400 psi	50 psi	5 psi	09	✓
30"-0-60 psi	10" & 10 psi	1" & 1 psi	23	✓	0-500 psi	50 psi	5 psi	10	✓
30"-0-100 psi	30" & 10 psi	2" & 1 psi	24	✓	0-600 psi	50 psi	5 psi	11	✓
30"-0-150 psi	30" & 30 psi	5" & 2 psi	25	✓	0-800 psi	100 psi	10 psi	12	✓
30"-0-200 psi	30" & 20 psi	5" & 2 psi	26	✓	0-1000 psi	100 psi	10 psi	13	✓
30"-0-300 psi	30" & 50 psi	5" & 2 psi	27	✓	0-1500 psi	200 psi	10 psi	14	✓
30"-0-400 psi	30" & 50 psi	10" & 5 psi	28	✓	0-2000 psi	200 psi	20 psi	15	✓
30"-0-600 psi	30" & 50 psi	10" & 5 psi	74	✓	0-3000 psi	500 psi	20 psi	16	✓
0-15 psi	1 psi	.10 psi	02	✓	0-5000 psi	500 psi	50 psi	17	✓
0-30 psi	5 psi	.20 psi	03	✓	0-10000 psi	1000 psi	100 psi	18	✓
0-60 psi	5 psi	.50 psi	04	✓	0-15000 psi	1500 psi	100 psi	19	✓
0-100 psi	10 psi	1 psi	05	✓	0-20000 psi	2000 psi	200 psi	20	✓
0-160 psi	20 psi	1 psi	06	✓					

\* Above PSI Ranges are available with dual scale metric KPA or BAR scales

## CASE DIMENSIONS



	A	B	C	J	K	M	N	R	S	T	W
mm	128	103 <sup>1</sup>	84	6.3	40	148	136.5	25	12.5		22
in	5	4.06 <sup>1</sup>	3.31	0.248	1.57	5.83	5.37	0.99	0.49	1/2"	0.87

1 - For Gauges with 1/4" NPT connection, dimension changes to 97mm (3.81").

## TO ORDER:

**Additional options** - To order please specify option.

Safety Glass Lens  
 NIST Certificate of Accuracy  
 Red Max Indicating Hand

Ordering Number - Construct by selecting one item from each of the columns below:											
1	Dial Size:	2	Series Number:	3	Case Style:	4	Range Code:	5	Connection Size and Style:	6	Bourdon Tube and Socket Code:
	4 1/2" = 4		= 70 Dry		= 5SG Turret Style Black Phenolic Solid Front Blow-out Back		See standard range chart for code.		1 = 1/4" NPT Bottom 3 = 1/2" NPT Bottom		3 = Stainless Steel
	<b>Example:</b> 4805SG0833		= 80 Liquid Filled								
	4		80		5SG		08		3		3

# SPAN™

## Liquid Filled Series SC Gauges 2.0", 2.5" and 4.0"

### Overview

Series SC gauges offer a stainless steel case with brass or corrosion resistant 316 stainless steel internals. Gauges are available in sealed dry, liquid filled for high shock and vibration applications.

SC gauges are suitable for applications with media compatible with brass or 316 stainless steel wetted materials

### Benefits

- Matching sealed stainless steel cases are offered in three sizes in plain or two panel mounting configurations. An optional removable bayonet ring is available
- Case dimensions are popular metric sizes. Panel mounting gauges fit existing panels using most stainless steel cased gauges
- Made in the USA, series SC gauges offer a very competitive high quality option to many imported gauges

### Applications

- Intended for adverse service conditions where pulsating or vibration exists (with liquid filling)
- Hydraulics and compressors
- Suitable for gaseous or liquid media that will not obstruct the pressure system
- Applications compatible with 316 stainless steel internals (SC-2) or brass internals (SC-1)



SCU63-1  
Liquid Filled Industrial Gauge



SCS63-2  
Liquid Filled Industrial Gauge

### Construction Data

Case	Stainless Steel	
Bezel	Stainless Steel - crimped	
Socket	SC-1	Brass
	SC-2	Stainless Steel
Bourdon Tubes	SC-1	Vac to 1000 PSI "C" tube, 1500 to 10,000, brass spiral tube
	SC-2	Vac to 1000 PSI "C" tube, 1500 to 15,000, stainless spiral tube
Pressure Connection	1/8" or 1/4" npt male (JIC SAE optional)	
Lens	Acrylic	
Pointer	Black aluminum	
Movement	Stainless Steel	
Dial	White aluminum	
Fill fluid	Glycerin -Optional dry	
Ranges	Vacuum, compound to 15,000 PSI	

### Dial Ranges and Intervals

Range PSI	Fig. Inter. PSI	Grad. Inter. PSI
15	3	0.2
30	5	0.5
60	10	1
100	20	2
160	20	2
200	50	5
300	50	5
400	100	10
600	100	10
800	200	20
1000	200	20
1500	300	20
2000	500	50

Range PSI	Fig. Inter. PSI	Grad. Inter. PSI
3000	500	50
5000	1000	100
7500	1000	100
10000	2000	200
15000 (SC-2 Only)	3000	200

#### VACUUM RANGE <sup>1</sup>

30-0" Hg	5" Hg	0.5" Hg

#### COMPOUND RANGES

"Hg	PSI	"Hg	PSI	"Hg	PSI
30-0-	15	10	5	1	0.5
30-0-	30	10	10	2	1
30-0-	30	30	20	2	2
30-0-	100	30	20	5	2
30-0-	160	30	20	10	5
30-0-	200	30	50	10	5



## SPAN™ Liquid Filled Series SC Gauge 2.0", 2.5" and 4.0"

### Performance Data

Accuracy	SC-1 (Brass)	2%-1%-2%
	SC-2 (Stainless)	1% Full Scale Grade 1A
Design	ANSI/ASME B40.1	
Operating Temp.	-40 to 150F	

### Temperature Error

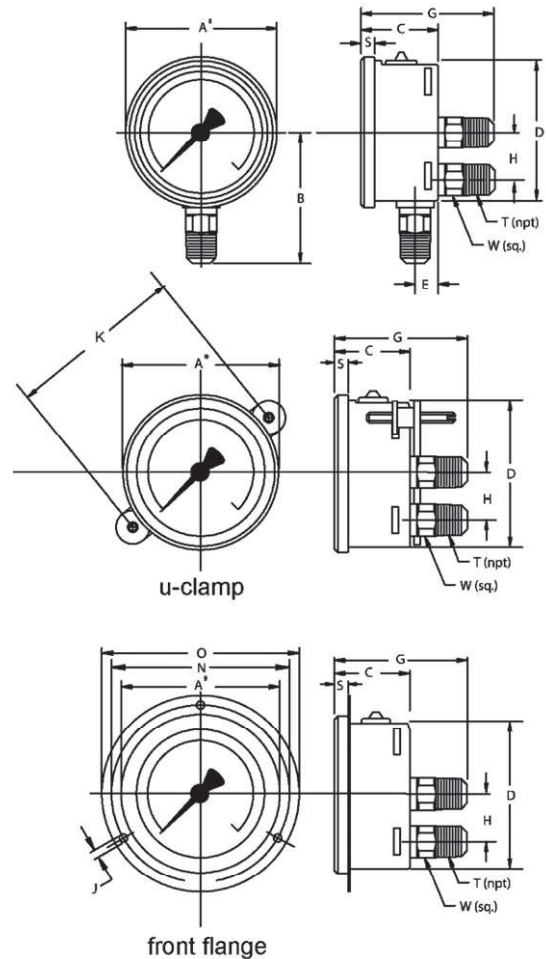
Additional error when temperature changes from reference temperature of 68F (20C) +0.4% for every 18F (10C) rising or falling as a percentage of Span.

### Weather Protection

Weather tight (NEMA 4X / IP 65)

### Optional Extras

SCK	=	Threaded socket restrictor
CERT	=	NIST Certified with calibration points
GL	=	Glass lens
DM	=	Dampened movement
BR	=	Bayonet bezel-removable
OEM	=	Custom dials
JIC, SAE	=	Special process connections
DBR	=	Dual scale PSI and BAR
DKG	=	Dual scale PSI and KgCm <sup>2</sup>
DKP	=	Dual scale PSI and KpA



Size	A	B	C	D	E	G	H	J	K	N	O	S	T	W	Weight
50mm (2")	mm in	55 2.17	48 1.89	30 1.18	50 1.97	12 0.47	53 2.09	- 0.14	3.6 2.83	72 2.36	60 2.80	17 0.22	5.5 ¼"	14 0.55	0.27 lb. dry 0.33 lb. filled
63mm (2½")	mm in	69 2.69	54 2.13	32 1.26	63 2.45	13 0.51	54 2.13	- 0.14	3.6 2.83	72 2.95	75 3.35	85 0.26	6.5 ¼"	14 0.55	0.36 lb. dry 0.44 lb. filled
100mm (4")	mm in	107 4.21	87 3.43	48 1.89	100 3.91	15.5 0.61	79.5 3.13	30 1.18	4.8 0.19	109 4.29	116 4.57	132 5.20	8 0.31	22 0.87	1.10 lb. dry 1.76 lb. filled

Note: For ¼" NPT connections on 4" gauges, reduce B dimension by 5mm/0.2"

Recommended panel cut-out: 2"- U-clamp: 51mm front flange: n/a      2½"- U-clamp: 63mm front flange: 65mm      4"- U-clamp: 101mm front flange: 104mm

**Ordering Number for SC Span Gauge –** Construct by selecting one item from each of the columns below:

Configuration	Dial Size	Wetted Parts	Range	Fill	Options
SCS=Stainless Case Stem Mount Bottom	50=2.0"/50mm	1 = Brass tube and socket	Please specify from chart	G = Glycerin Filled	From option list
SCC=Stainless Case Center Back	63=2.5"/63mm	2 = 316 Stainless Steel tube and socket		D = Dry No fill	
SCU=Stainless Case U-Clamp Mount	100=4.0"/100mm				
SCF=Stainless Case Front Flange Mount					
<b>Example: SCS –</b>	<b>63-</b>	<b>2 –</b>	<b>200 –</b>	<b>G</b>	<b>DBR</b>

(SCS63-2-200-G-DBR)

# SPAN™

## Dry Steel Cased Pressure Gauge 1.5", 2.0", 2.5" and 3.5"

### Overview

These gauges are designed for use with gas, oil and water or any media not corrosive to brass or bronze. Series EC gauges are designed for applications not requiring a liquid filled gauge. EC gauges are a good choice in applications not subject to high shock or severe vibrations.

### Benefits

- Dry black steel case gauge with chrome rings
- Large inventory in stock for quick shipment
- Back-up stocking programs available to OEMs
- Quality manufactured in ISO 9000 certified facility

### Applications

- Pneumatic regulators
- Filters
- Low cost panel mounted gauges
- Small diameter gauges
- Tank pressures
- Air pressure measurements



EC103D  
Panel Mount Industrial Gauge



EC101D  
Stem Mount Industrial Gauge

### Construction Data

Case	Steel - black or chrome
Bezel	Steel - chrome
Socket	Brass
Bourdon Tubes	Copper Alloy Vac to 1000 PSI "C" tube 1500 to 5000 copper spiral tube
Pressure Connection	1/8" or 1/4" npt male (JIC SAE optional)
Lens	Acrylic
Pointer	Black aluminum
Movement	Brass movement
Dial	White aluminum
Fill fluid	None
Ranges	1.5" and 2" - Vacuum, compound to 1000 PSI 2.5" and 3.5" - Vacuum, compound to 5000 PSI

### Gauge Scales - dual. Inner scale is metric (kPa & bar). Outer scale is PSI.

Range	Code	Major	Minor	Range	Code	Major	Minor
30"-0" VAC	A	5"	.5" hg	0-160 psi	F	20 psi	2 psi
30"-0-15 psi	CB	10"hg & 5 psi	1"hg & .50 psi	0-200 psi	G	40 psi	5 psi
30"-0-30 psi	CC	10"hg & 10 psi	1"hg & 1 psi	0-300 psi	H	50 psi	5 psi
30"-0-60 psi	CD	10"hg & 10 psi	2"hg & 1 psi	0-400 psi	I	50 psi	5 psi
30"-0-100 psi	CE	30"hg & 20 psi	5"hg & 2 psi	0-600 psi	K	100 psi	10 psi
30"-0-150 psi	CF	30"hg & 20 psi	5"hg & 2 psi	0-1000 psi	M	200 psi	10 psi
30"-0-300 psi	CH	30"hg & 50 psi	10"hg & 5 psi	0-1500 psi	N	200 psi	20 psi
0-15 psi	B	2 psi	.20 psi	0-2000 psi	O	400 psi	50 psi
0-30 psi	C	5 psi	.50 psi	0-3000 psi	P	500 psi	50 psi
0-60 psi	D	10 psi	1 psi	0-4000 psi	Q	800 psi	100 psi
0-100 psi	E	20 psi	2 psi	0-5000 psi	R	1000 psi	100 psi

## SPAN™ Dry Steel Cased Pressure Gauge 1.5", 2.0", 2.5" and 3.5"

### Performance Data

Accuracy	3-2-3% Grade B
Design	ANSI/ASME B40.1
Operating Temp.	-40 to 150F

### Temperature Error

Additional error when temperature changes from reference temperature of 68F (20C) +0.4% for every 18F (10C) rising or falling as a percentage of Span.

### Case Styles and Dimensions

Case Style	Image	Diagram	Dimensions							
			SIZE	A	B	C	D	E		
Bottom Mount Style 1			1½"	1.64"	.93"	.65"	2.26"	1/8" NPT		
			2"	2.07"	1.06"	.83"	2.83"	1/8" or 1/4"		
			2½"	2.50"	1.13"	.88"	3.31"	1/4" NPT		
			3½"	3.54"	1.12"	1.02"	4.49"	1/4" NPT		
Back Mount Style 2			1½"	1.64"	0.93"	.63"	1.51"	1/8" NPT		
			2"	2.07"	1.03"	.89"	1.90"	1/8" or 1/4"		
			2½"	2.50"	1.17"	.90"	1.97"	1/4" NPT		
			3½"	3.49"	1.22"	.83"	2.02"	1/4" NPT		
Panel Mount Style 3			1½"	1.84"	1.03"	.63"	1.61"	1.61"	1/8" NPT	
			2"	2.31"	1.18"	.73"	1.84"	2.04"	1/8" or 1/4"	
			2½"	2.68"	1.12"	.76"	1.87"	2.44"	1/4" NPT	
			3½"	3.98"	1.23"	.67"	2.02"	3.59"	1/4" NPT	
Front Flange Style 4			1½"	1.84"	1.03"	.63"	1.61"	2.23"	1.61"	1/8" NPT
			2"	2.31"	1.18"	.73"	1.84"	2.81"	2.04"	1/8" or 1/4"
			2½"	2.68"	1.12"	.76"	1.87"	3.47"	2.44"	1/4" NPT
			3½"	3.98"	1.23"	.67"	2.02"	5.21"	3.59"	1/4" NPT

**Ordering Number for EC Series Gauge -** Construct by selecting one item from each of the columns below:

Base Model	Case Style	Dry	Dial Size	Connection	Range
EC10	1 = bottom connected-plain	D	15 = 1 ½" Dia.	8 = 1/8" NPT male	please specify from chart
	2 = center back connected plain		20 = 2" Dia.	4 = 1/4" NPT male	
	3 = back connected u-clamp panel mount		25 = 2 ½" Dia.		
	4 = back connected front flange panel mount		35 = 3 ½" Dia.		
<b>Example: EC10</b>	<b>1</b>	<b>D</b>	<b>25</b>	<b>4 -</b>	<b>E</b>

( EC101D-254-E)

# SPAN™

## Series 4200 Pressure Transducers

### Overview

The **SPAN OEM Pressure Sensor** can be constructed as an amplified voltage output pressure transducer or 4-20mA loop powered pressure transmitter. The 4200 covers a wide variety of applications that require rugged construction, high cycle life, as well as media compatibility to deliver outstanding and long-term performance.

**One piece 'Billit' Sensor Cell Technology** is the foundation of the 4200. This leading technology gives the flexibility to be used in virtually any OEM application. Whether measuring hydraulic pressure in a manifold or corrosive media such as sea water or hydrogen, the 4200 pressure sensor provides a thick diaphragm to maintain long-term stability and use.

### Benefits

- High Strength Stainless Steel Construction
- No Oil, Welds or Internal O-rings
- Wide Operating Temperature Range and ranges up to 10,000 PSI
- Low Static and Thermal Errors and EMI/RFI Protection
- Unparalleled Price and Performance
- Compatible with Wide Range of Liquids and Gases
- Simple Installation for Panel Builders

### Applications

- Control Panels
- Industrial OEM Equipment
- Hydraulic Systems
- HVAC/R Equipment
- Data Loggers
- Pneumatics

### Performance @ 25°C (77°F)

Accuracy*	< ±0.5% BFSL
Stability (1 year)	±0.25% FS, typical
Over range Protection	2X Rated Pressure
Burst Pressure	5X or 20,000 PSI (whichever is less)
Pressure Cycles	> 100 Million
* Accuracy includes non-linearity, hysteresis & non-repeatability	

### Electrical Data

Output	4-20mA	1-5VDC	0.5-4.5V Ratiometric
Excitation	10-28VDC	10-28VDC	5VDC, regulated
Output Impedance	>10k Ohms	<100 Ohms, Nominal	<100 Ohms, Nominal
Current Consumption	20mA, typical	<10mA	<10mA
Bandwidth	(-3dB): DC to 250 Hz	(-3dB): DC to 1kHz	(-3dB): DC to 1kHz
Output Noise	-	<2mV RMS	<2mV RMS
Zero Offset	<±1% of FS	<±1% of FS	<±1% of FS
Span Tolerance	<±2% of FS	<±1.5% of FS	<±1.5% of FS
Output Load	0-800 Ohms@10-28VDC	10k Ohms, min	10K Ohms, min
Reverse Polarity Protection	Yes	Yes	Yes



### Environmental Data

Temperature	
Operating	-40 to 85°C (-40 to 185°F)
Storage	-40 to 100°C (-40 to 212°F)
Thermal Limits	
Compensated Range	0 to 55°C (30 to 130°F)
TC Zero	<±1.5% of FS
TC Span	<±1.5% of FS
Other	
Shock	100G, 11 msec, 1/2 sine
Vibration	10G peak, 20 to 2000 Hz.
EMI/RFI Protection	Yes
Rating	IP-66 (housing only)

### Series 4200 Pressure Transducers

#### Ordering Information

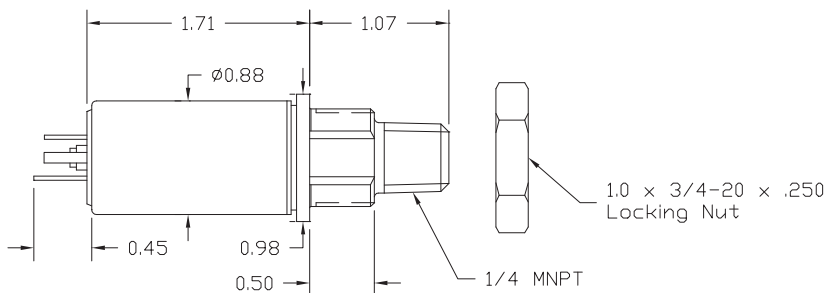
<b>4200</b>	<b>J</b>	<b>00100</b>	<b>P</b>	<b>4</b>	<b>A</b>	<b>0</b>	<b>000</b>
<b>Series Type</b>							
<b>Configuration Interface</b> A= 1/4" NPT Male							
<b>Pressure Range</b> Insert 5-digit pressure range code*							
<b>Pressure Unit</b> P= PSI							
<b>Outputs</b> 1= 0.5-4.5V ratiometric 3= 1-5V 4= 4-20mA (2 wire loop powered)							
<b>Electrical*</b> D= 10 ft. (3.0m) E= Mini DIN 43650 Z= DT04 Deutsch							
<b>Wetted Material</b> 0= 17-4PH							
<b>Options</b> Kem= KemX Barrier							

#### Pressure Ranges\*

PSIG Measurement Range	Pressure Range Code	BARG Measurement Range	Pressure Range Code
-14.7 to 25**	V0025**	-1 to 2**	V0002**
0-25	00025	0-2	00002
0-50	00050	0-5	00005
0-100	00100	0-7	00007
0-150	00150	0-10	00010
0-200	00200	0-20	00020
0-250	00250	0-35	00035
0-500	00500	0-50	00050
0-1,000	01000	0-70	00070
0-2,500	02500	0-100	00100
0-5,000	05000	0-250	00250
0-7,500	07500	0-350	00350
0-10,000	10000	0-500	00500
		0-700	00700

\*Typical ranges. All ranges between 0-25 PSI and 0-10,000 PSI available.  
\*\*Compound ranges up to -14.7 to 500 PSI available. Please consult factory.

#### Dimensional Data



#### Options Available

SPAN offers a complete line of transducers not shown in this catalog. Also available are compact OEM, oxygen cleaned, differential and submersible level models.

Your transducer specification can be "made to order". We welcome your inquiry.

# SPAN™ Sub Sea Pressure Gauges

Born in the 'Oil Patch' in 1970, the **SPAN** liquid filled pressure gauge was the standard for offshore platform, ROV, panel makers and oil patch support equipment.

The **ORIGINAL** is still the **BEST!**



**Case & Bezel:** Zytel Nylon for Maximum Corrosion Resistance

**Size:** Matching 2-1/2", 3-1/2" and 4-1/2" Dial Sizes

**Socket & Tube:** Brass or Stainless Steel

**Fill:** SPL Glycerin for hostile environments. Fully filled

**Accuracy:** 1% Full Scale ANSI Grade 1A

**Connection:** 1/4" NPT Bottom or Back. (1/2" NPT Optional)

**Ranges:** VAC thru 20,000 PSI. Custom Dials Available

**Styles:** Stem and Panel Mounted

**NIST Certified Gauges:** available as option

**Compensated:** The SPAN 'ICD' and TOTAL fill allows internal case pressure and external ambient pressure to be equalized. This means the compensated gauge will compare the subsea reading with the subsea ambient pressure.

**How It Works:** At a depth of 2,000 meters the ambient pressure would be approximately 2,900 PSI. At that depth, if 4000 PSI is applied to the inlet of the gauge then the gauge will read 1100 PSI.

SPAN Sub Sea Gauges are made to order and have special construction for this application. Contact factory for specifications and ordering information.



---

## OTHER PRODUCTS AVAILABLE

- **THERMOMETERS:** Bi-metal and remote reading dial thermometers and digital remote readouts. All sizes. OEM priced.
- **PROCESS GAUGES:** A full line of 'DRY' industrial and process gauges in brass and stainless steel construction are available in 4.5", 6" and 8.5" sizes in our Duro-United product line.
- **GAUGE REPAIR AND CERTIFICATION:** Gauges can be calibrated to N.I.S.T. standards with certificate. Gauge repair and Oxygen Cleaning services are also available.
- **CUSTOM TEST GAUGE KITS:** Gauges in carry cases for hydraulics, aviation, etc. are available to your specifications.



## A BIT OF SPAN HISTORY

Established in 1969, **SPAN's** founder Leo Whitson began making the first American made liquid filled gauges in Plano, Texas for the "Oil Patch" industry. SPAN Instruments also pioneered the use of liquid filled pressure gauges in the fire truck industry in the 1980's. The SPAN gauge became the "standard" of the industry and was used by most fire manufacturers through-out the country.

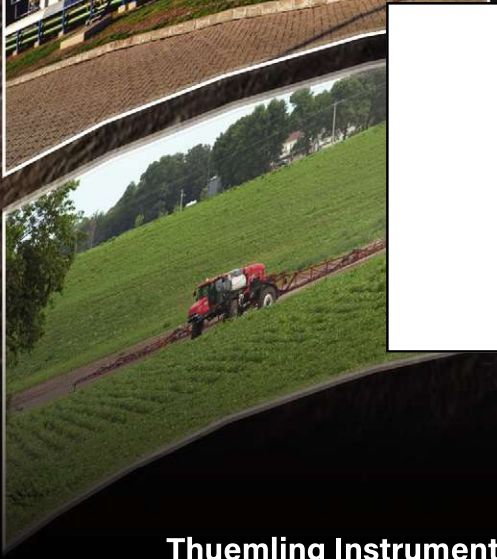
**SPAN** shifted its focus in the 90's to new fields such as the growing electronic and semi-conductor marketplace. In 1998 the Thuemling Instrument Group, Inc. purchased the industrial pressure gauge portion of SPAN Instruments. The Thuemling family has been associated with **SPAN** since 1971 and has over 70 years experience in the OEM pressure and temperature gauge field. From their facility in Waukesha, Wisconsin, over the last 25 years, Thuemling has supplied over 3 Million new generation **SPAN** gauges in the harshest environments such as construction equipment, shipbuilding, mining and process industries as well as numerous equipment manufacturers through-out North America.

Our company is built on a wealth of experience in product and application knowledge. We strive to be a resource to our customers when designing new applications or problem solving their existing ones.

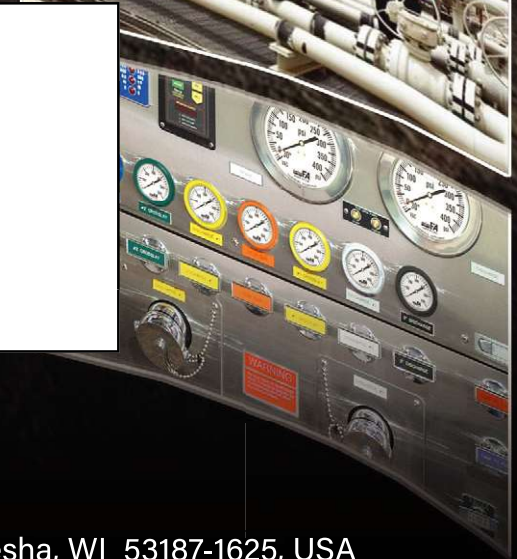
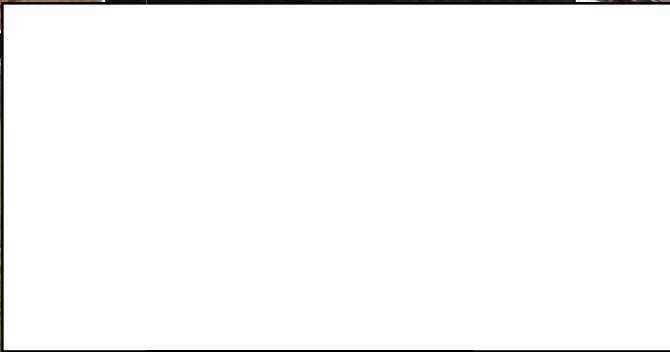
An American-Made Gauge. Owned and operated by a 4th generation family company. Located in the Heart of the Midwest . . .

**Give us a call at 1-800-686-1789**

**Continuous development and refinement of our products  
may result in specification changes without notice.**



Distributed by:



# SPAN™

Thuemling Instrument Group • P.O. Box 1625 • Waukesha, WI 53187-1625, USA  
Telephone: 262-547-1789 • Toll Free: 1-800-686-1789



Visit Us Online at [www.thuemling.com](http://www.thuemling.com)  
Email: [Sales@thuemling.com](mailto:Sales@thuemling.com)